

ELENA 500 PEDESTAL LAVATORY

CAT. NO
3-141



Features:

- ▶ Made of Vitreous China
- ▶ 1 Faucet hole drilling
- ▶ Pre-drilled overflow hole
- ▶ Mounting hardware included
- ▶ Can be installed using Toggle or Molly Bolts (not included)
- ▶ For ease installation order **Hangers** (pair) or **Bracket** (one)

Colors:

WH White

Compliance Certification

Meets or exceeds the following specifications: ASME A112.19.2:2013 and CSA B45.1-13 for ceramic plumbing fixtures.

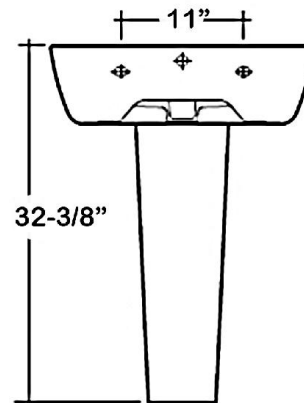
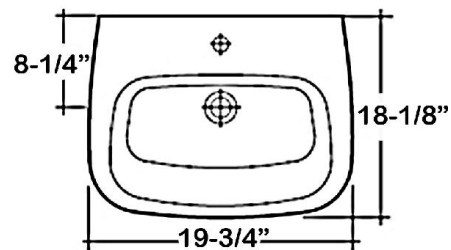
W: 19-3/4"
D: 18-1/8"
H: 32-3/8"

Column: 8" x 7-1/2" x 26"

Back of basin to center of faucet: 2-1/2"
Back of basin to center of drain: 7-3/4"
Mount bolts height: 30"
Mount holes cc: 11"

Interior Dimensions:

Basin interior: 15-1/2" x 12"
Basin depth: 5-1/2"
Faucet and spout holes: 1-3/8"



Dimensions of fixture are nominal and may vary within the range of tolerances established by ASME Standard A112.19.2-2008. Dimensions and specifications subject to change without notice.