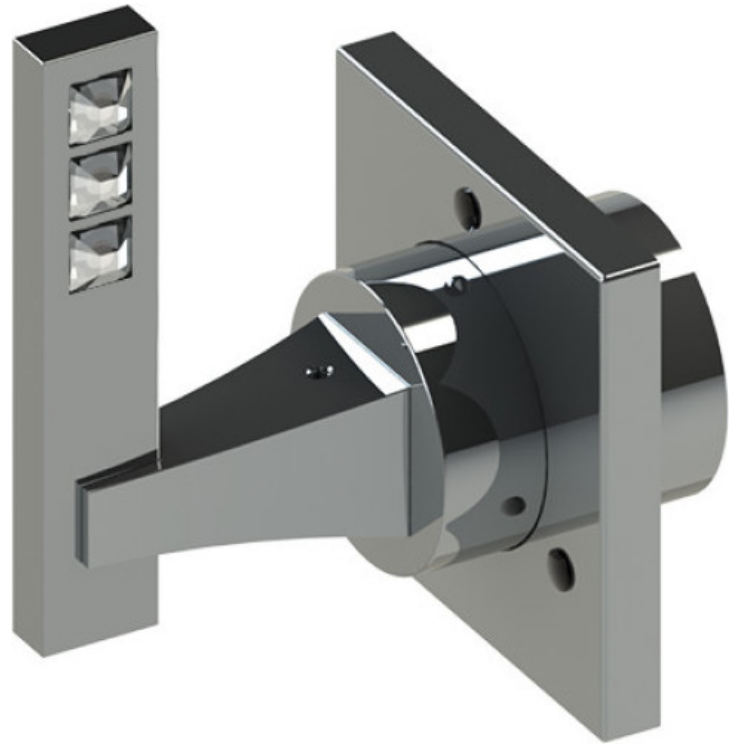


2SICLCHCH Specifications





THREE WAY DIVERTER WITH SHUT-OFFS IN BETWEEN FUNCTIONS, TRIM ONLY

