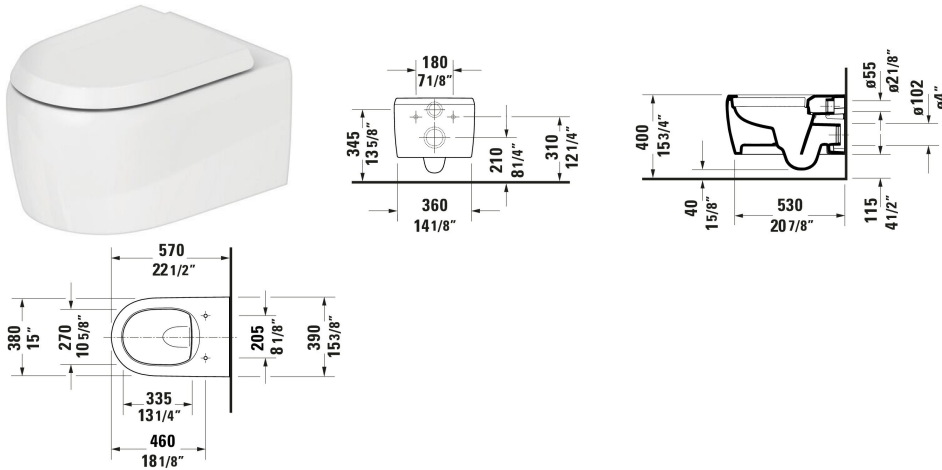


Gatego Wall Mounted Toilet # 2556092092

| < 15 1/8 " > |



| Wall Mounted Toilet | Dimension | Weight | Order number |
|---|-------------------|-----------|--------------|
| Flush water quantity: 1.2/0.8 gal, Washdown model, Flushing rim: Rimless, Flush system: washdown model, Outlet horizontal, Concealed fixation | | | |
| Colors | | | |
| 20 HygieneGlaze (an antibacterial ceramic glaze that provides almost indefinite effectiveness) | | | |
| Variant | | | |
| White High Gloss, HygieneGlaze, Flush water quantity: 1.28/0.8 gal, WaterSense: Yes, cUPC listed: Yes | | 63.934 lb | 2556092092 |
| Accessory for ceramics | | | |
| Mounting Bracket Suitable for Bidet, Wall Mounted Toilet | Ø 1/2 " | 1.521 lb | 006500 |
| Suitable products | | | |
| Toilet Seat Shape: D-shaped, Hinge material: Stainless Steel, Hinge color: Light grey, 18 1/4 x 14 1/2 " | 18 1/4 x 14 1/2 " | | 002689 |

All drawings contain the necessary measurements which are subject to standard tolerances. They are stated in inch & mm and are non-binding. Exact measurements, in particular for customized installation scenarios, can only be taken from the finished ceramic piece.