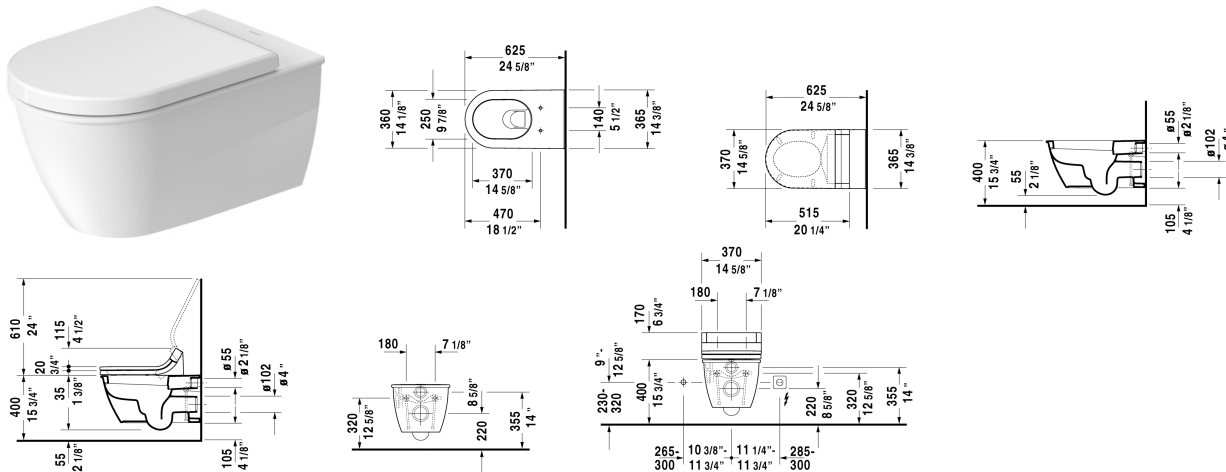


**Darling New Toilet wall-mounted ☺ # 254409..92 / 254409..92**

**< 14 3/5" Inch >**



Toilet wall-mounted	Dimension	Weight	Order number
washdown model, Durafix included, suitable for SensoWash Starck, cUPC® listed*			
<b>Colors</b>			
00 White 20 HygieneGlaze (an antibacterial ceramic glaze that provides almost indefinite effectiveness)			
<b>Variant</b>			
♣ 1.6/0.8 gpf	14 3/5" x 24 5/8" Inch	60.4 lb	254409..92
♣ 1.6/0.8 gpf	14 3/5" x 24 5/8" Inch	60.4 lb	254409..92
<b>Infobox</b>			
* Complies with following standards: ASME A112.19.2/CSA B45.1 and ASME A112.19.14, Durafix for concealed installation is included, Wall-mounted toilet is ADA compliant, when installed with a seat height of 17" - 19" from the finished floor, In-wall tank & carrier and actuator plate required for installation / Refer to page XXX, For suitable SensoWash® shower-toilet seats, please see matrix on page xxx			
Sanitary ceramics with the special WonderGliss surface finish will remain clean and attractive-looking for a long time to come. When ordering WonderGliss please add a "1" as eleventh digit to the model number.			
Sigma 01 flush plate, dual flush for toilets, White	9 5/8" x 6 1/2" Inch		115770
Geberit in-wall tank and carrier for toilets	19 3/4" x 3 1/8" Inch	37.5 lb	111798
Geberit in-wall tank and carrier for toilets	19 3/4" x 5 1/2" Inch	40.8 lb	111335
Noise reduction gasket for wall-mounted toilet		0.7 lb	005064

Darling New Toilet wall-mounted  # 254409..92 / 254409..92

|< 14 3/5" Inch >|

**Suitable products**

<p>SensoWash® Starck shower-toilet seat for Starck 2, Starck 3 and Darling New* Rear-, Lady- and Comfortwash, individual adjustment of water-, air- and seat surface temperature as well as nozzle position and jet strength, power actuated lid and seat, night light, 2 individually programmable user profiles, remote control included, self-cleaning wand, on / off-button, Quick release: easy seat unit removal and attachment, 14 5/8" x 20 1/4" Inch</p>	<p>14 5/8" x 20 1/4" Inch</p>	<p>610000</p>
<p>Toilet seat and cover elongated, hinges stainless steel, without slow close,</p>		<p>006332</p>
<p>Toilet seat and cover elongated, hinges stainless steel, removable, with slow close,</p>		<p>006339</p>

*All drawings contain the necessary measurements which are subject to standard tolerances. They are stated in inch & mm and are non-binding. Exact measurements, in particular for customized installation scenarios, can only be taken from the finished ceramic piece.*