

**Showerarm, 15"**

Finish: **chrome** Part no. : **24357001**



**Description**

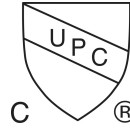
**Features**

- Length: 15.35"
- Brass/ plastic
- Connection type: 1/2" NPT
- Showerarm, Escutcheon, Mounting Material, Assembly instructions

**Item details**

List Price \$ 179.00

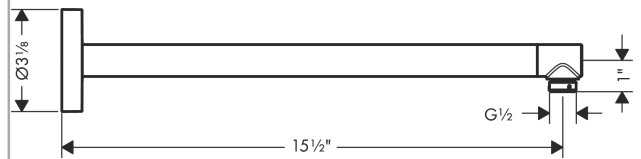
**Compliance / Sustainability**



**Product image**



**Scale drawing**



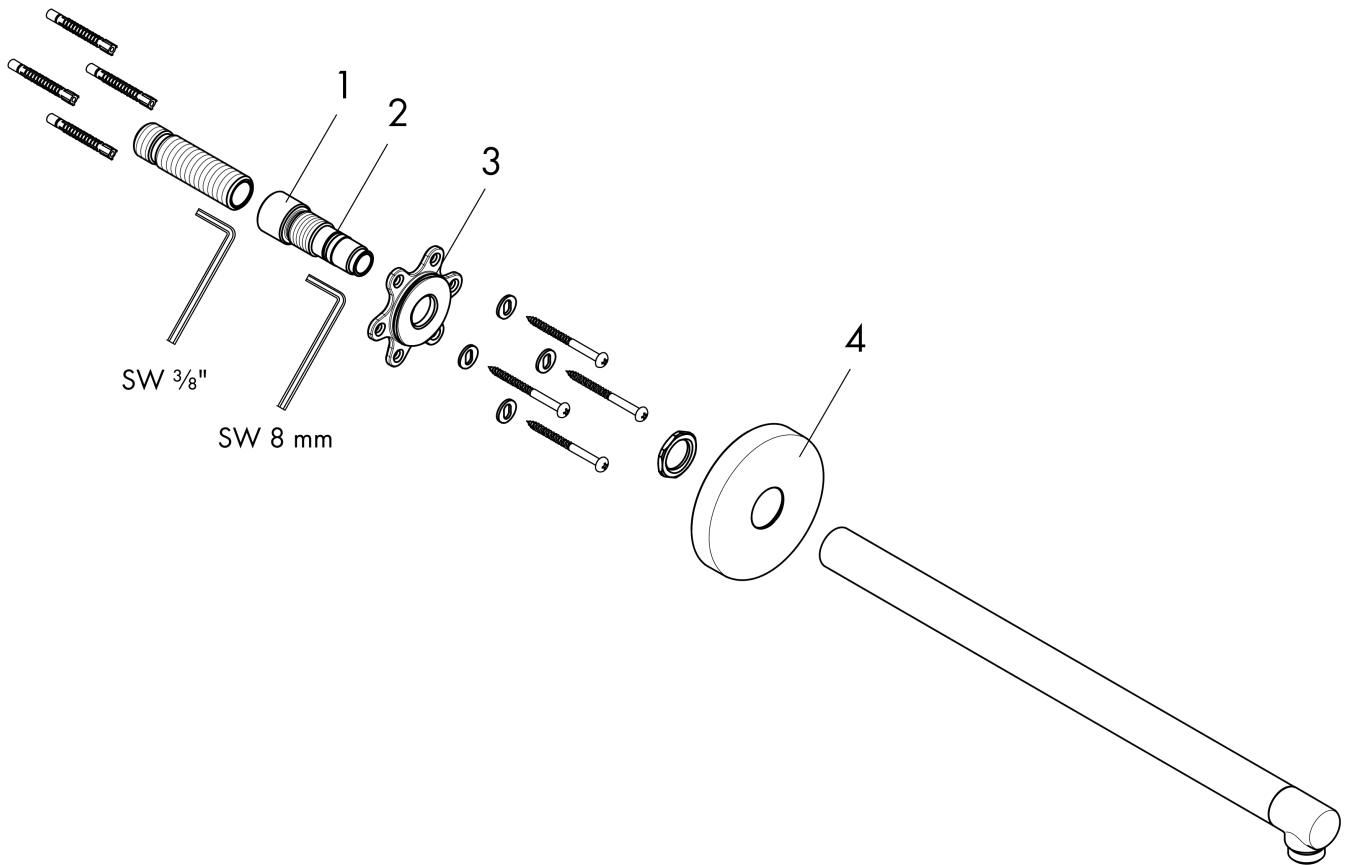
**Showerarm, 15"**

Finish: **chrome** Part no. : **24357001**



**Exploded drawing**

Year of production: >07/23



**Showerarm, 15"**

Finish: **chrome** Part no. : **24357001**



**Spare parts list**

Year of production: >07/23

Pos.	Description	Part no.	Price	PU
1	connecting thread	93418001	-	1
2	O-ring 14x2	98129000	-	1
3	O-ring 40x2	94689000	-	1
4	escutcheon	93827000	-	1