

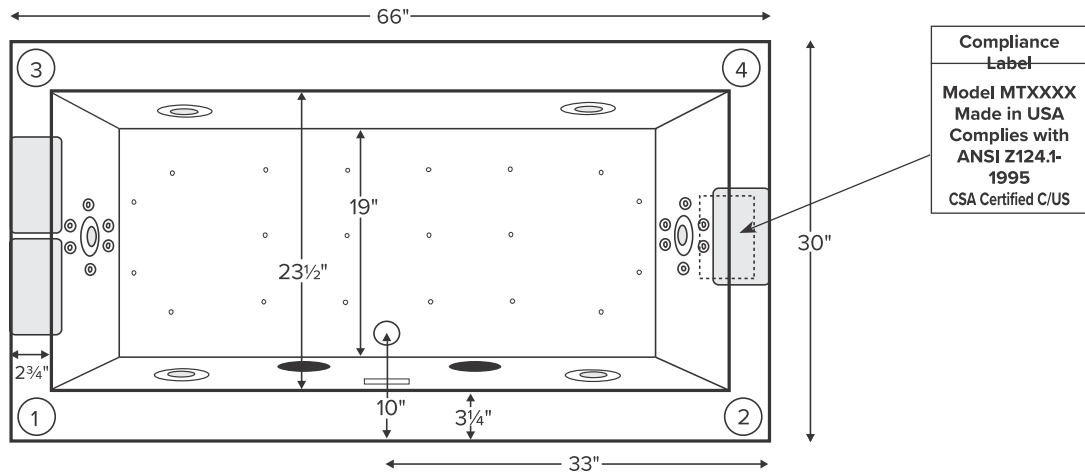
# Andrea® 28

## 66" x 30" x 20"

**GENERAL SPECIFICATIONS:**

- Material** - Acrylic
- Installation** - Drop-in or Undermount
- Plumbed Weight** - 140 lbs / 64 kg
- Soaker Weight** - 115 lbs / 52 kg
- Average Fill** - 47 gal to above jet level
- Maximum Fill** - 71 gal to overflow

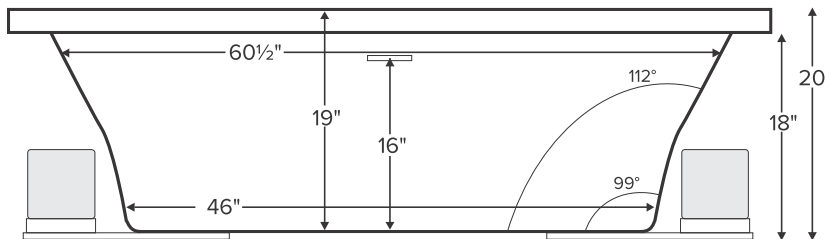
NOTE: Filling this tub to the maximum may require an above average size or dedicated water heater.



**Compliance Label**  
Model MTXXXX  
Made in USA  
Complies with ANSI Z124.1-1995  
CSA Certified C/US

The Andrea 28 features an integrated slotted overflow with direct toe tap drain.

Numbered areas on tub deck represent possible locations to install cleaning systems, faucets and other fixtures.  
Shown as Air Bath



**IMPORTANT:**  
Air baths and tubs with a pre-leveled foam base or frame system add 2-3" to overall tub height.

ELECTRICAL COMPONENTS & SPECIFICATIONS		
Required Electrical Service - 110 Volt		
Hydrotherapy Package	Components Included	GFCI
Standard Whirlpool	2-bhp pump, inline heater	2-15 amp
Ultra Whirlpool	2 2-bhp pumps, inline heater	2-20 amp
Air Massage	heated blower	1-15 amp
Air Massage Elite	heated blower, chromatherapy	1-15 amp
Air Massage with Standard Whirlpool	2-bhp pump, inline heater, heated blower	2-15 amp
Air Massage with Ultra Whirlpool	2 2-bhp pumps, inline heater, heated blower	2-20 amp
Air Massage Elite with Standard Whirlpool	2-bhp pump, inline heater, heated blower, chromatherapy	2-15 amp
Air Massage Elite with Ultra Whirlpool	2 2-bhp pumps, inline heater, heated blower, chromatherapy	2-20 amp

For electrical requirements of tub options, see specific options specs  
CSA Certified C/US; ANSI Z124.1 for plastic tubs and ANSI 112.19.7 for whirlpool components.

**IMPORTANT ORDERING & INSTALLATION INFORMATION:**

- Before ordering or installing, please consider future access to equipment.
- This tub comes with an integrated overflow with direct connect toe tap drain provided to complete installation. Align tub drain with drain pipe rough-in.
- Add bedding compound to fully level and support bottom of tub. Tubs equipped with an air bath or a pre-leveled foam base are designed to rest on the floor without bedding compound, provided the floor is level. **Overall tub height is increased by approx. 2-3" when tub is equipped with any air bath package or when pre-leveled foam base or frame system is ordered.** Please measure tub on-site before building tub decking.
- Radiance placed on floor locations will affect placement of air jets.
- When ordering Microbubbles, system components will extend beyond the perimeter of tub.
- Suction and control locations may vary. If you are planning to use a glass enclosure, MTI must be advised when ordering for possible relocation of controls.
- Measurements are ±1/2" and are subject to change without notice. Specifications and configurations are subject to change without notice. Measurements herein supersede all others published prior to publication date shown below.

See the "Designer Collection Tubs Installation & Operation Manual" included with tub delivery or go to [mtibaths.com/support/installation\\_operation/manuals](http://mtibaths.com/support/installation_operation/manuals) for all the information necessary to install and operate the tub.

MTI's Customer Service Department is available Monday-Friday 8am-6pm EST at 800-783-8827 or [service@mtibaths.com](mailto:service@mtibaths.com) to answer any questions pertaining to ordering or installation.

