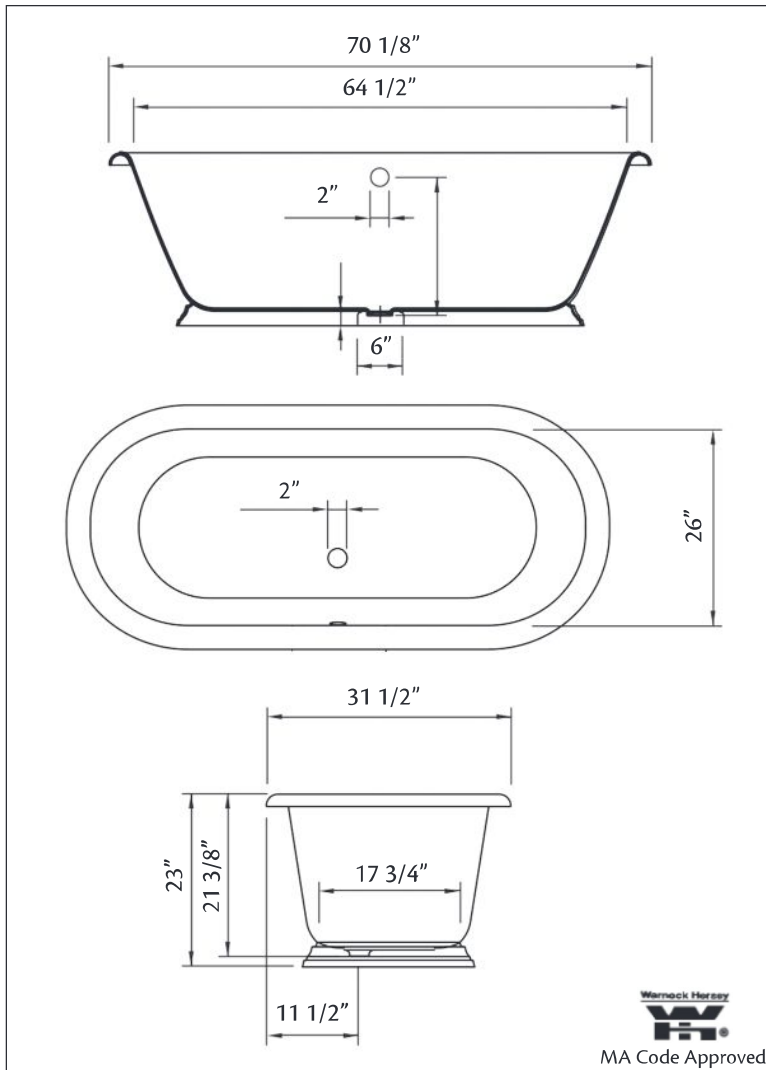


## 2163 SANDRINGHAM Bath Master Collection

*Cheviot Products' cast iron bathtubs are handmade in Europe with the finest materials. Fired with a thick coating of AA grade titanium-based enamel for unparalleled hardness and non-porosity, the extremely durable surface is easy to clean and resistant to stains, bacteria, and other microbes. Cast iron also keeps your bath warm for the longest possible time.*



**70 1/8" x 31 1/2" Wide x 23" Tall**  
 401 lbs, 63 gallons, 240 litres  
**Metallic Finish:** Burnished Cast Iron

### Related Products:



**5115 Tub Filler**



**3970 Heavy Duty Water Supply Lines**



**3980 Heavy Duty Water Supply Lines**



**2222 Waste & Overflow**

**Note:** Rough-in dimensions may vary +/- 1/2" and are subject to change. No responsibility is assumed by Cheviot Products Inc. One Year Limited Warranty against manufacturer's defects.