

36"

Item Number:

210-V36-WW

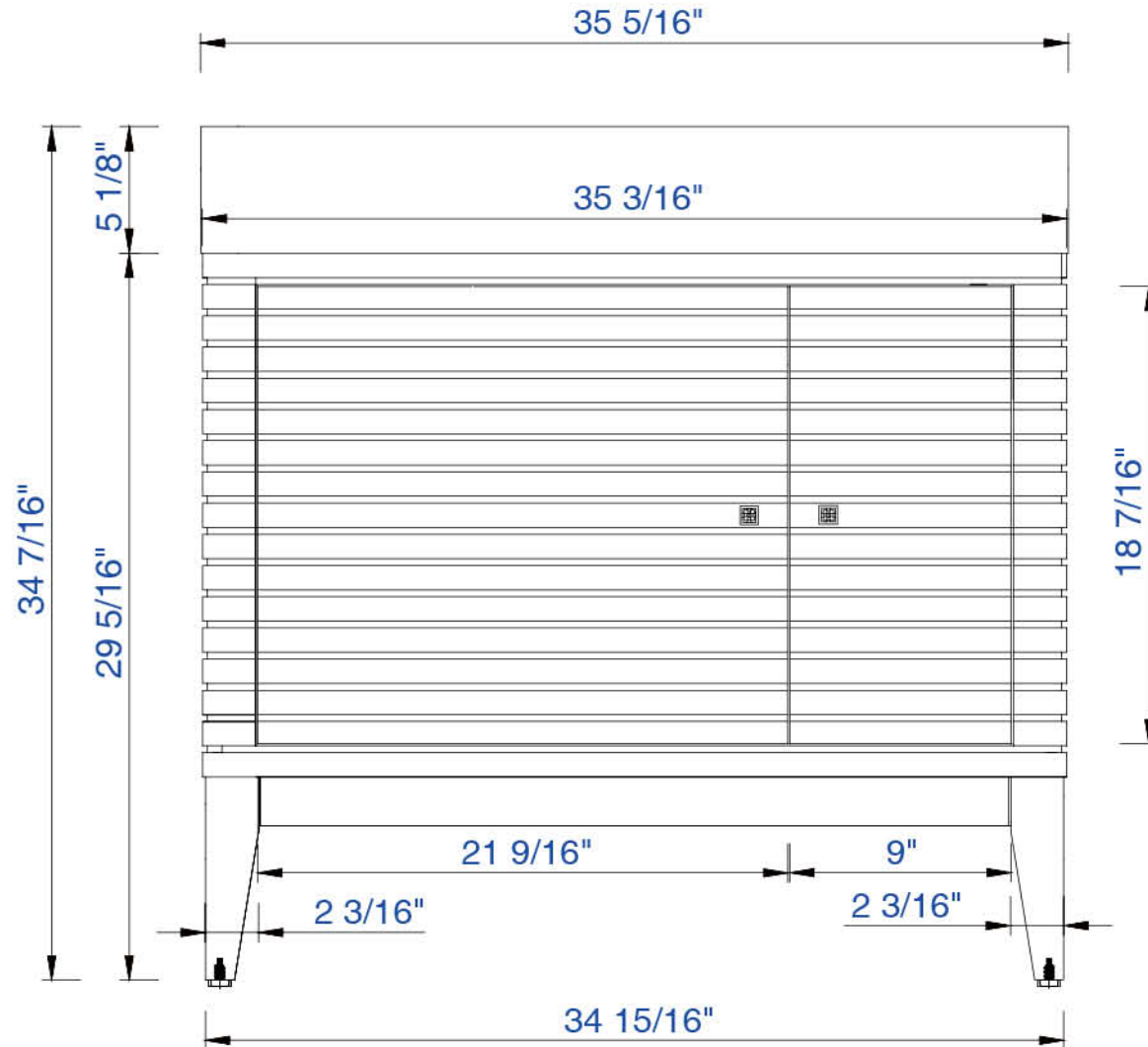
JAMES MARTIN



VANITIES

Linear 36" Cabinet

Diagrams with Dimensions  
page 01 of 03



NOTE ONE: Married Countertop is standard for this cabinet  
NOTE TWO: This vanity does not have a Backsplash.

36"

Item Number:

210-V36-WW

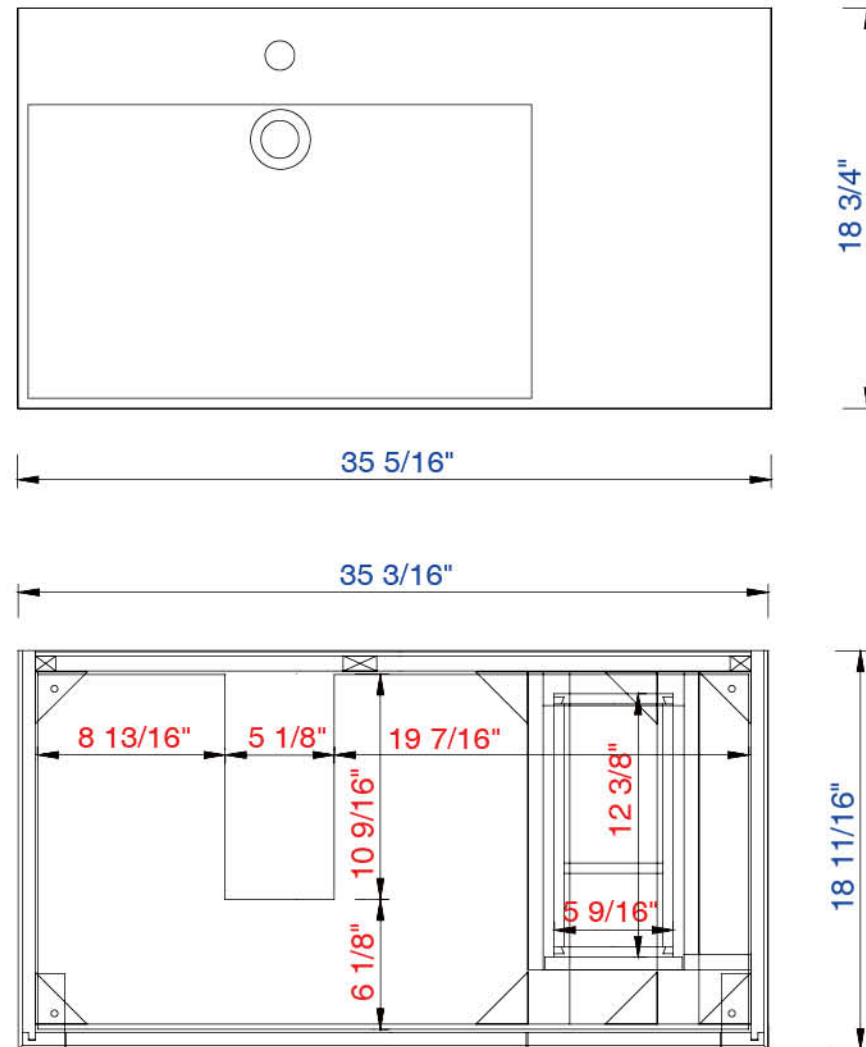
JAMES MARTIN



VANITIES

Linear 36" Cabinet

Diagrams with Dimensions  
page 02 of 03



NOTE ONE: Married Countertop is standard for this cabinet

NOTE TWO: Internal Shelves (Shown) are designed to align with sinks in James Martin's Optional Countertops.

36"

Item Number:

210-V36-WW

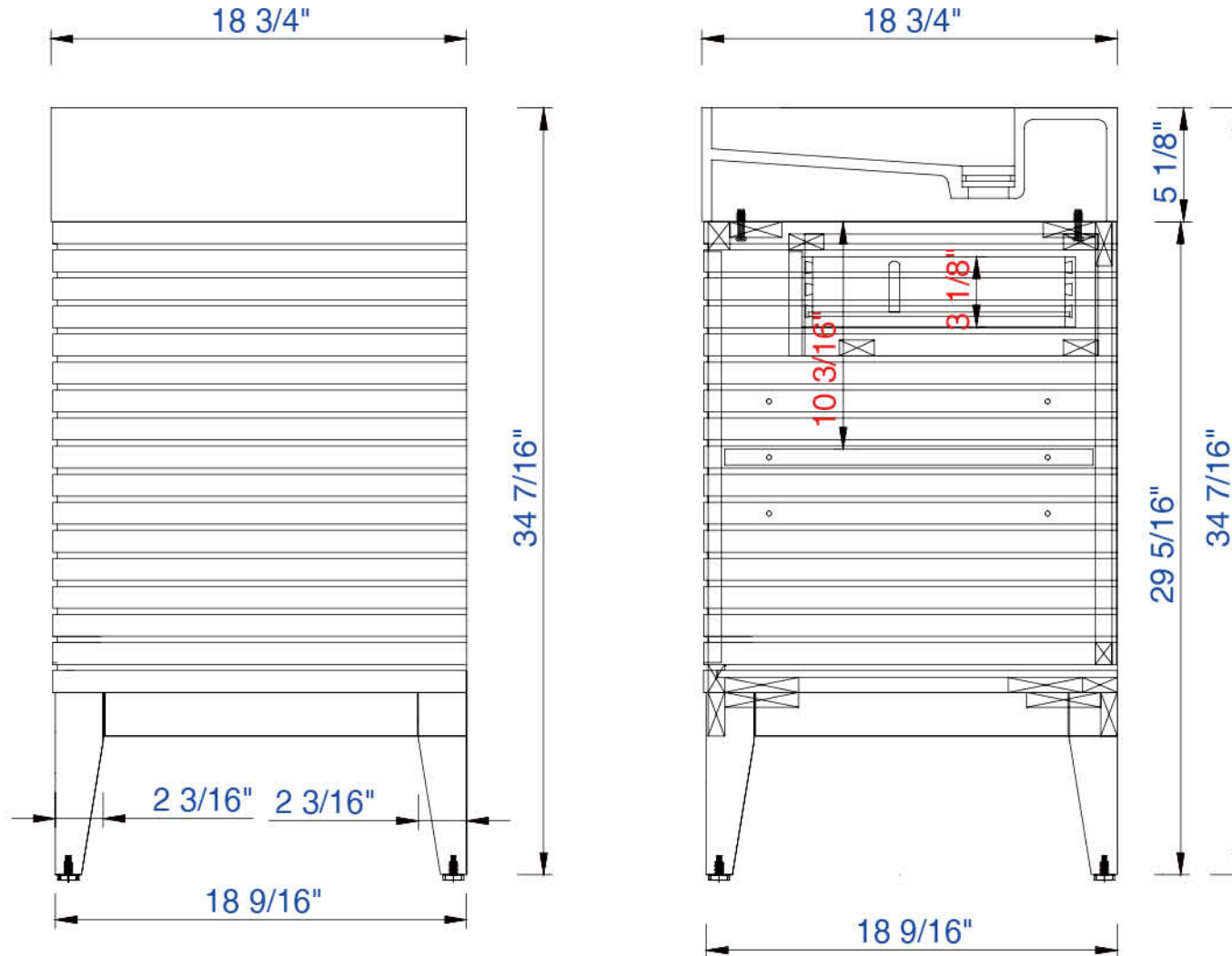
JAMES MARTIN



VANITIES

Linear 36" Cabinet

Diagrams with Dimensions  
page 03 of 03



NOTE ONE: Married Countertop is standard for this cabinet  
NOTE TWO: This vanity does not have a Backsplash.

914mm

Item Number:

210-V36-WW

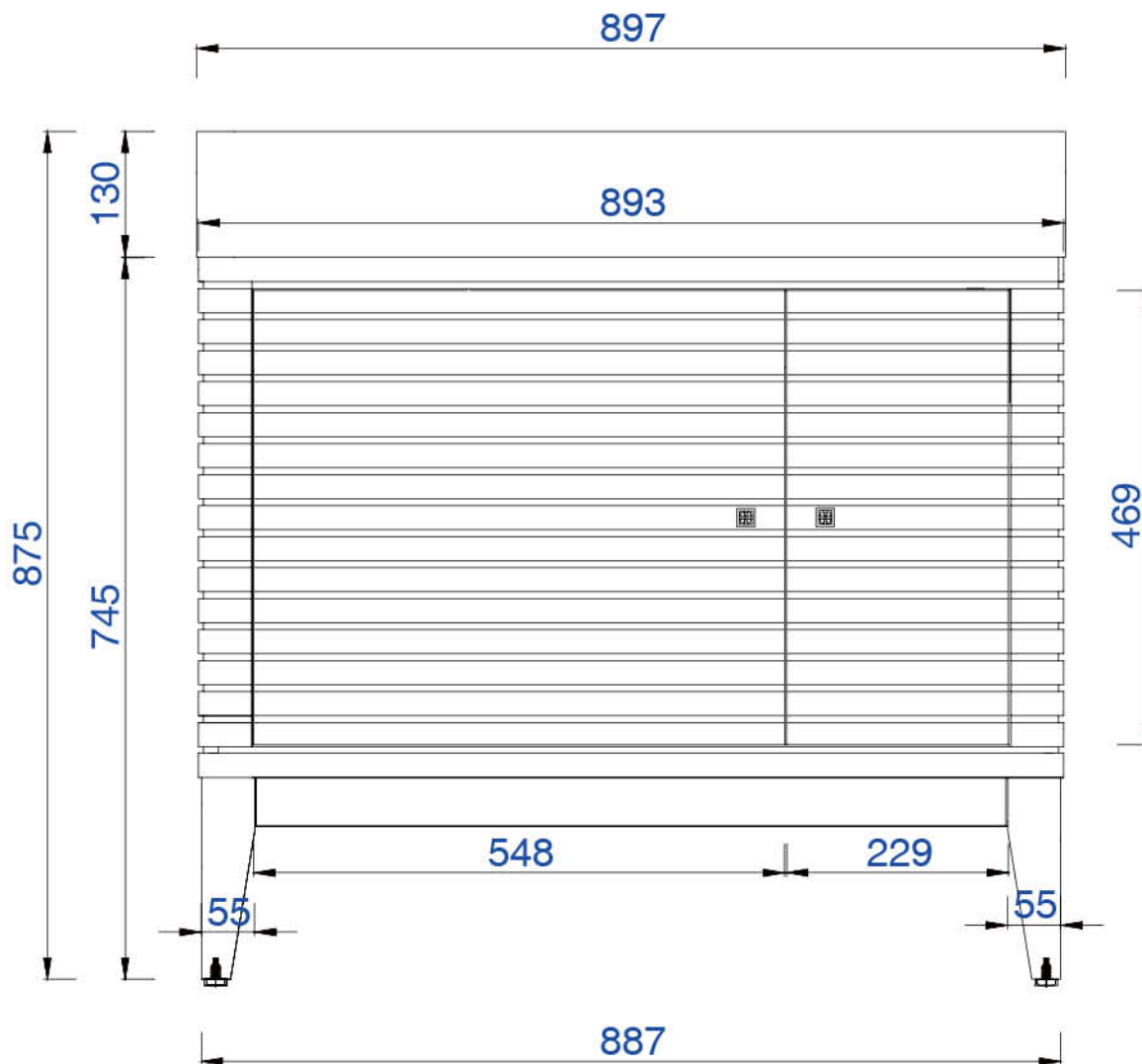
JAMES MARTIN



VANITIES

Linear 914mm Cabinet

Diagrams with Dimensions  
page 01 of 03



NOTE ONE: Married Countertop is standard for this cabinet  
NOTE TWO: This vanity does not have a Backsplash.

914mm

Item Number:

210-V36-WW

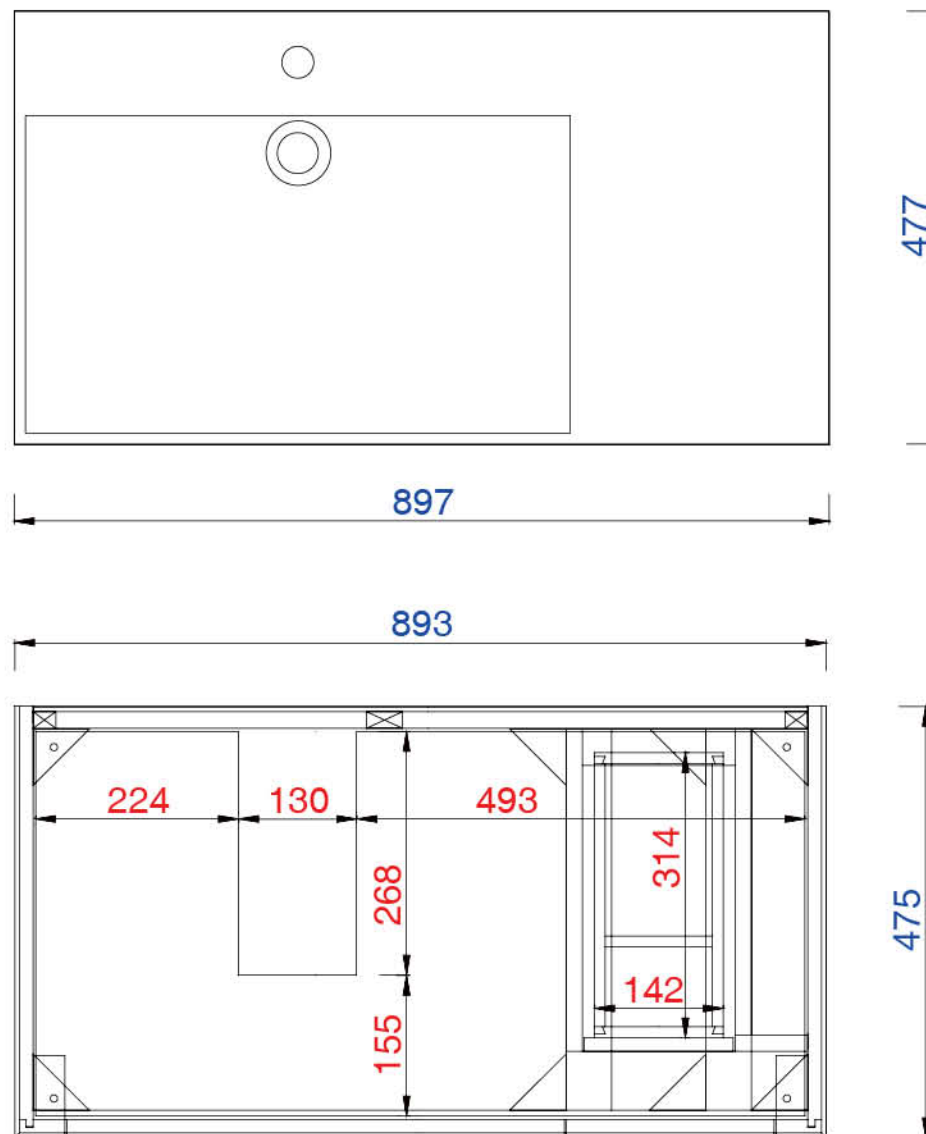
JAMES MARTIN



VANITIES

Linear 914mm Cabinet

Diagrams with Dimensions  
page 02 of 03



NOTE ONE: Married Countertop is standard for this cabinet

NOTE TWO: Internal Shelves (Shown) are designed to align with sinks in James Martin's Optional Countertops.

914mm

Item Number:

210-V36-WW

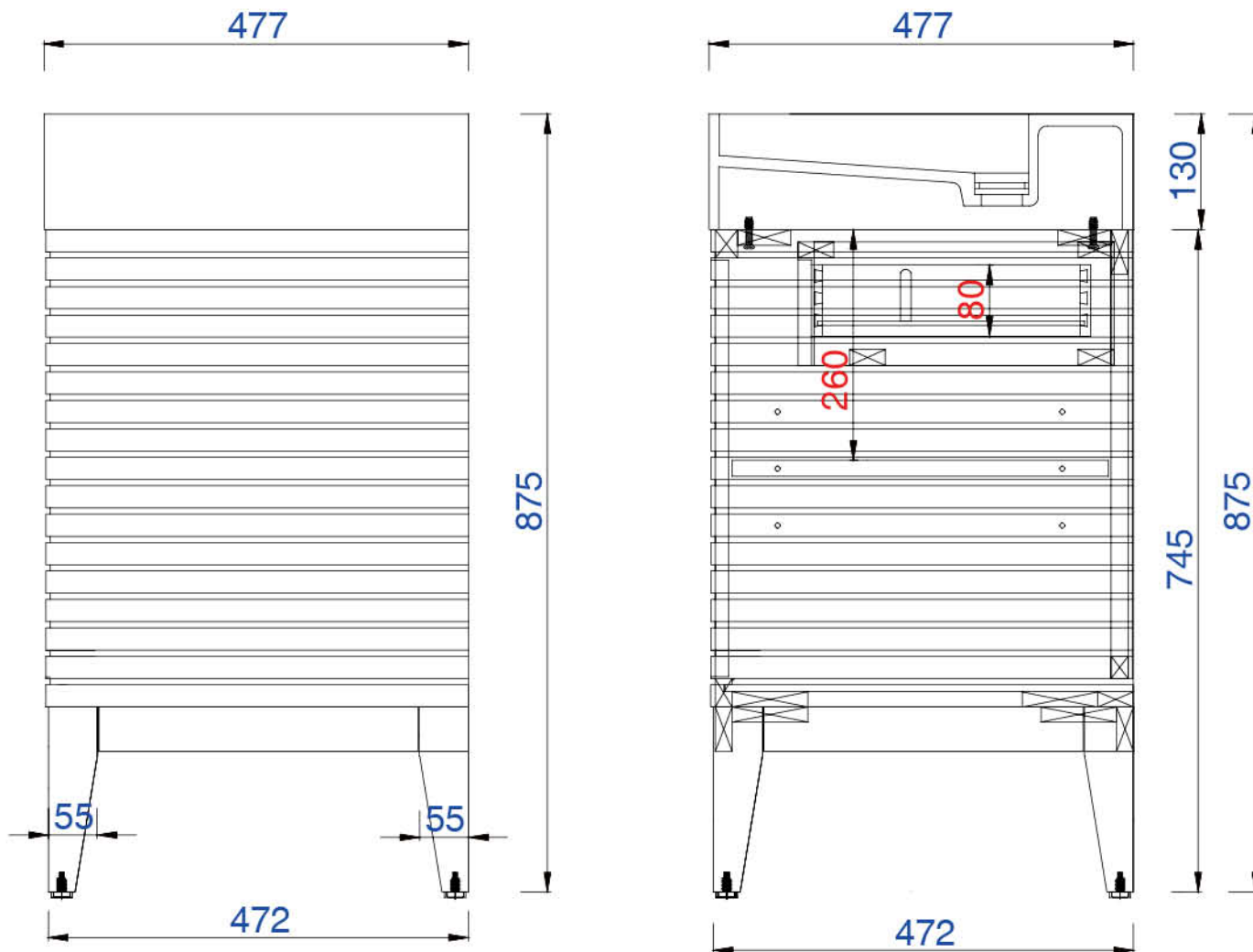
JAMES MARTIN



VANITIES

Linear 914mm Cabinet

Diagrams with Dimensions  
page 03 of 03



NOTE ONE: Married Countertop is standard for this cabinet  
NOTE TWO: This vanity does not have a Backsplash.