

Extended Mirror

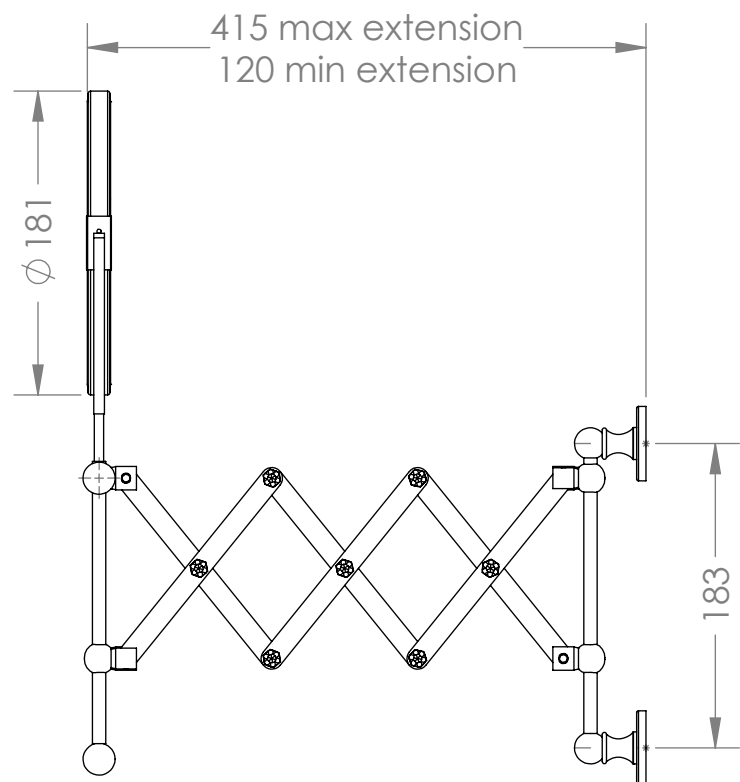
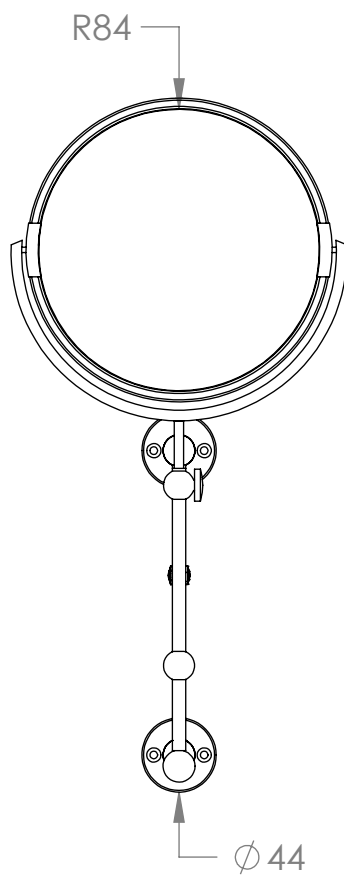
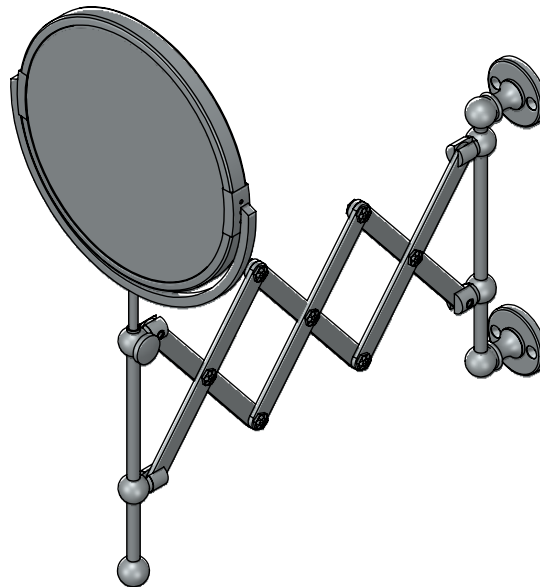
V1

24 May 2017

2-130

AVAILABLE FINISHES

UB - UNLACQUERED BRASS	CP - POLISHED CHROME
BN - BRUSHED NICKEL	NP - POLISHED NICKEL
LAB - LIGHT ANTIQUE BRONZE	LB - LIGHT BRONZE
MAB - MEDIUM ANTIQUE BRONZE	MB - MEDIUM BRONZE
DAB - DARK ANTIQUE BRONZE	DB - DARK BRONZE
AG - ANTIQUE GOLD	GP - GOLD PLATED



I handmade
in the heart of
BRITAIN

THE STERLINGHAM CO. LTD.

SCALE: 1:10

APPROX WEIGHT 1.38KG

MANUFACTURED FROM BRASS

Units 2 & 2A Stamford Street
Amblecote, Stourbridge,
Worcestershire
England, DY8 4HR

Telephone : 01384 370901
Fax : 01384 880159
sales@sterlingham.co.uk
www.sterlingham.co.uk