

FEATURES:

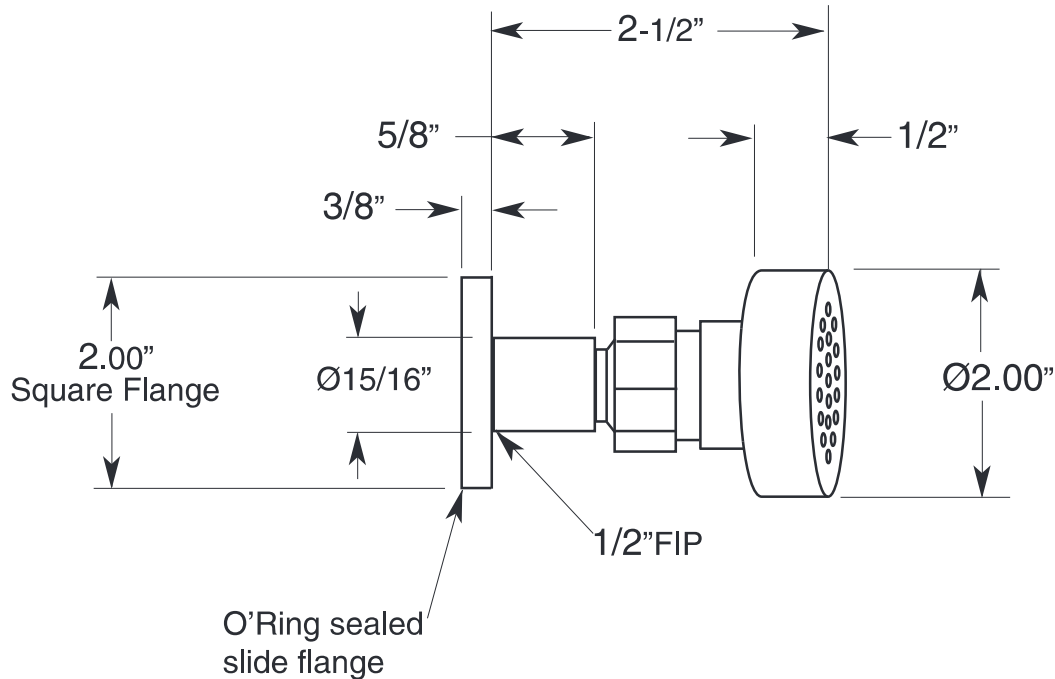
- All brass construction
- 1/2" female connection
- Swivel ball-and-socket joint
- Flexible spray nozzles allow for easy removal of hard water build-up
- 2.5 gpm flow restrictor installed
- Water saving 2.0 gpm available - upon request
- Available in all Sigma finishes
- Certified to meet or exceed the following codes and standards:
ASME A112.18.1/CSAB 125.1-2011

Specifications

Bodyspray

Round Body Spray
with Square Flange
(Easy Clean Jets)

18.10.124



Note: Measurements are subject to change or cancellation. No responsibility is assumed for use of superseded or voided pages.