

FEATURES:

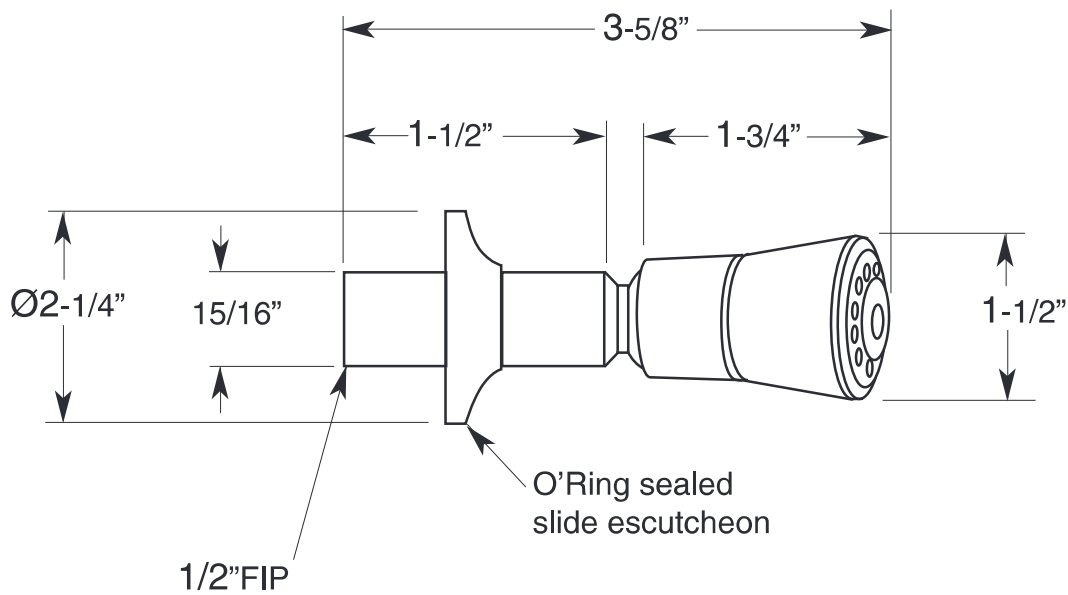
- All brass construction
- 1/2" female connection
- Swivel ball-and-socket joint
- 2.5 gpm flow restrictor installed
- Water saving 2.0 gpm available - upon request
- Available in all Sigma finishes
- Meets: ASME A112.18.1-2005/ CSAB 125.1-2005

Specifications

Bodyspray

Bodyspray

18.10.063



Note: Measurements are subject to change or cancellation. No responsibility is assumed for use of superseded or voided pages.