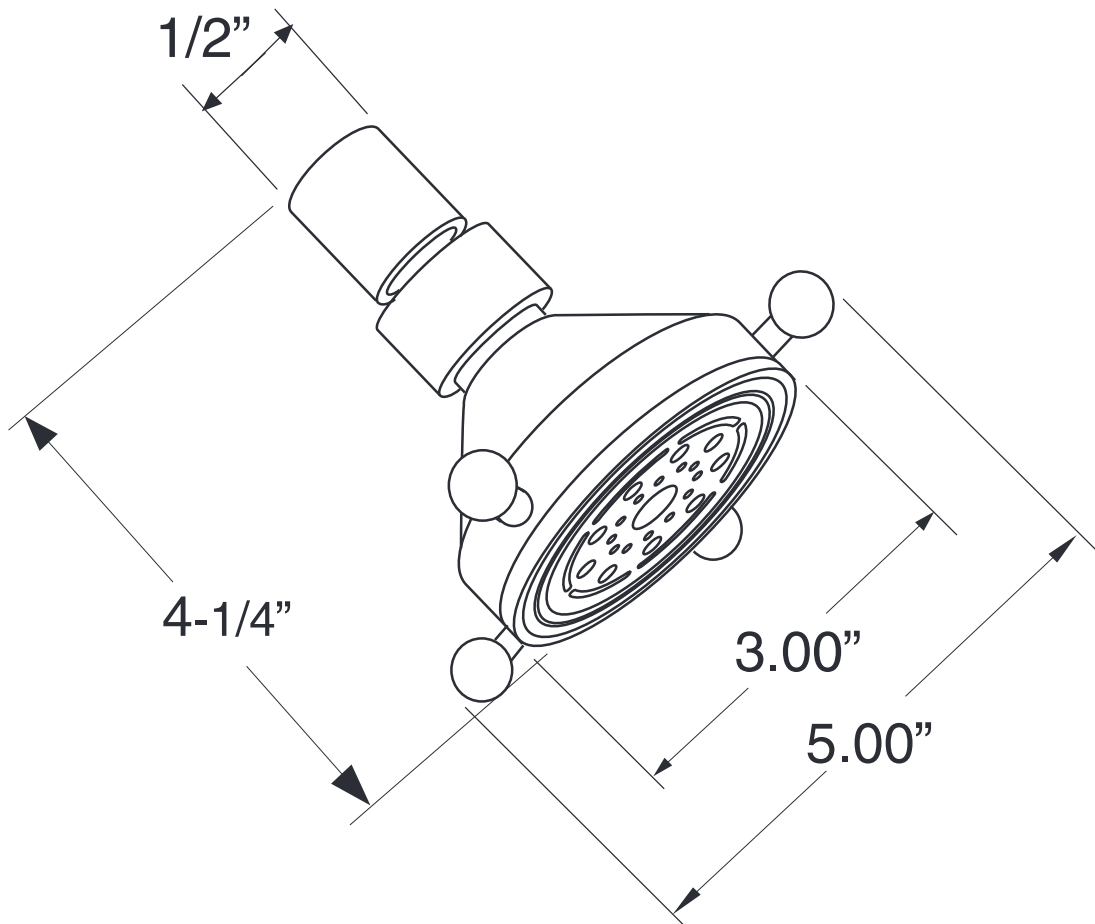


FEATURES:

- All brass construction
- Easy turn 3-Way Multispray showerhead
- 1/2" female swivel connection
- Removable spray head for easy cleaning
(Key supplied to remove spray head)
- 2.5 gpm flow restrictor installed.
- Water saving 2.0 gpm available - upon request.
- Available in all Sigma finishes.
- Meets: ASME A112.18.1-2005 / CSAB 125.1-2005

3-Way Multi-spray Spoke
Showerhead
18.10.058



Note: Measurements are subject to change or cancellation. No responsibility is assumed for use of superseded or voided pages.