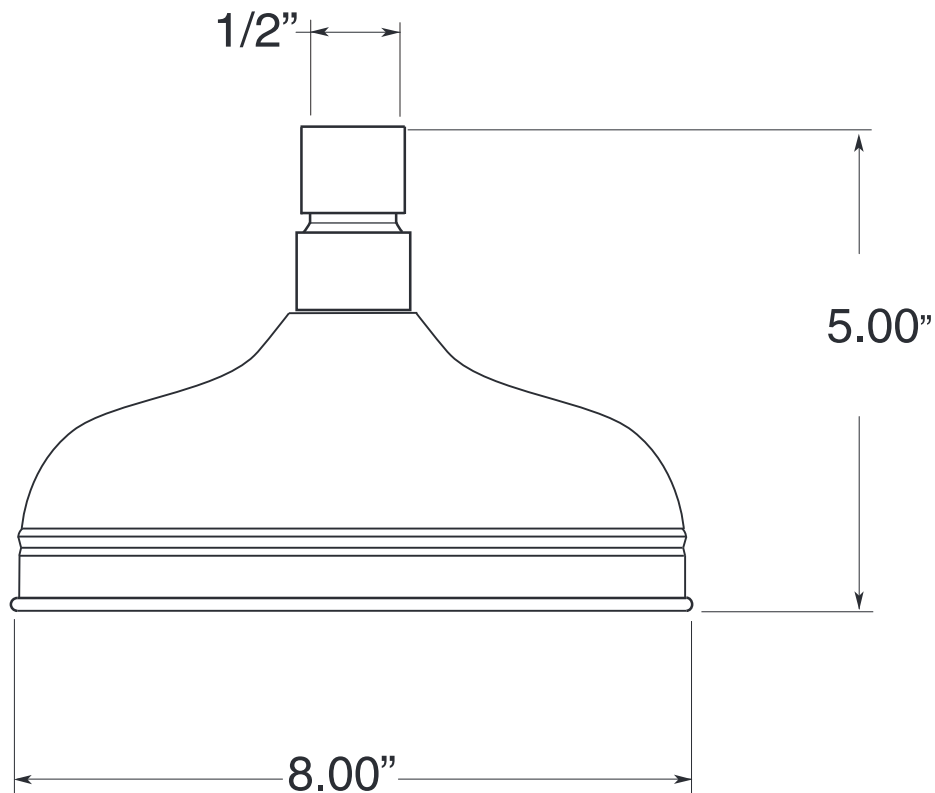


Specifications
Showerhead

8" Skirted Rainhead
18.10.052

FEATURES:

- All brass construction
- 1/2" female swivel connection
- Shipped with easy clean jets
- 2.5 gpm flow restrictor installed
- Water saving 2.0 gpm available - upon request
- Available in all Sigma finishes
- Certified to meet or exceed the following codes and standards:
ASME A112.18.1/CSAB 125.1-2011



Note: Measurements are subject to change or cancellation. No responsibility is assumed for use of superseded or voided pages.