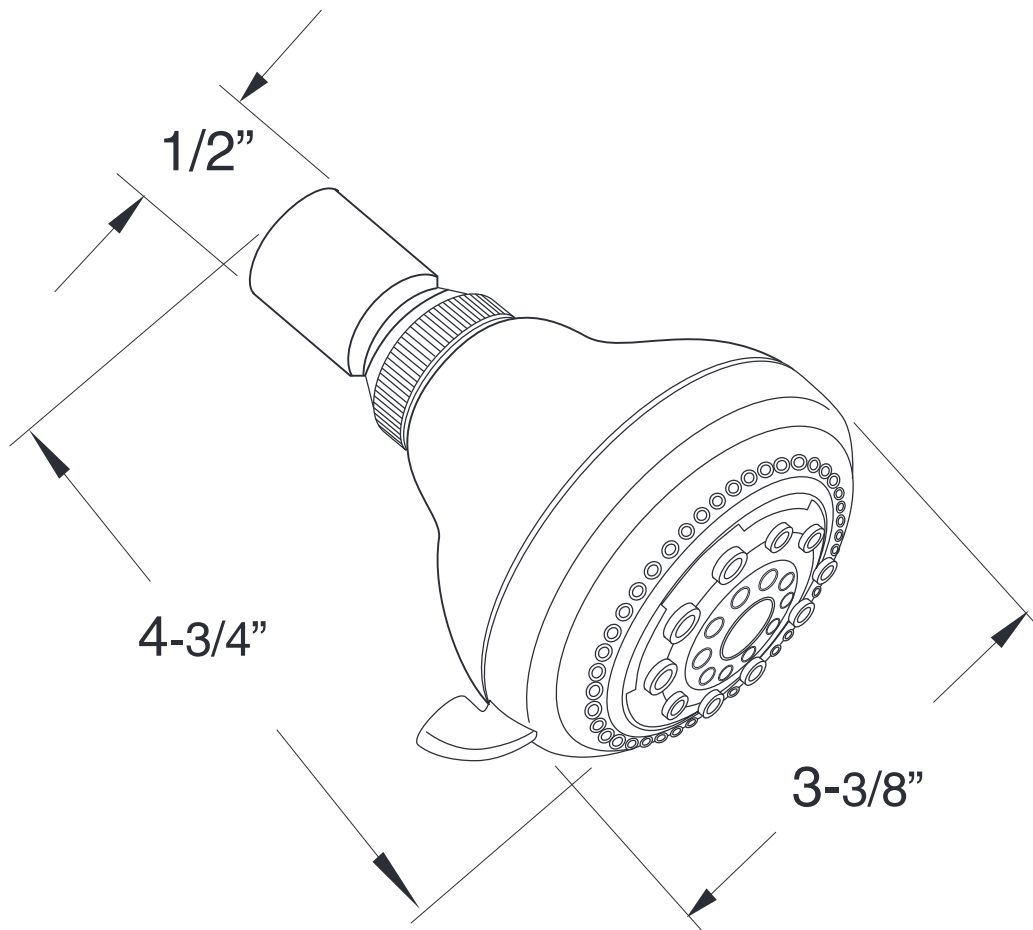


**FEATURES:**

- 3-Way Multi-Spray showerhead
- 1/2" female swivel connection.
- 2.5 gpm flow restrictor installed.
- Water saving 2.0 gpm available - upon request
- Available in all finishes.
- Meets: ASME A112.18.1-2005 / CSA B125.1-2005

3-Way Multi-Spray  
Showerhead  
18.10.051



Note: Measurements are subject to change or cancellation. No responsibility is assumed for use of superseded or voided pages.