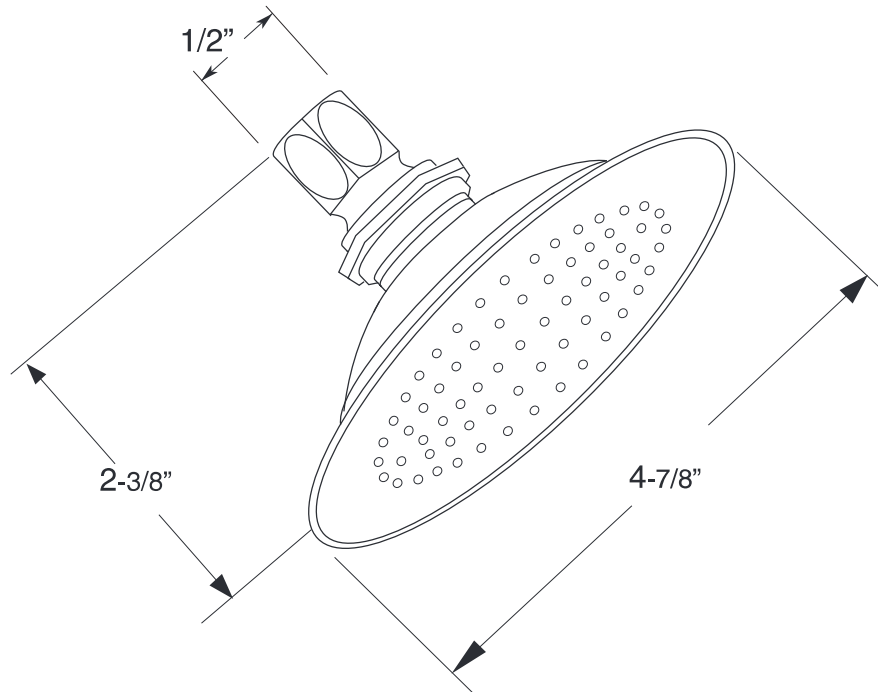


FEATURES:

- All brass construction
- 1/2" female swivel connection
- 2.5 gpm flow restrictor installed
- Water saving 2.0 gpm available - upon request
- Available in all Sigma finishes
- Meets: ASME A112.18.1-2005 / CSAB 125.1-2005

Specifications Showerhead

5" Traditional Rainhead
18.10.050



Note: Measurements are subject to change or cancellation. No responsibility is assumed for use of superseded or voided pages.