

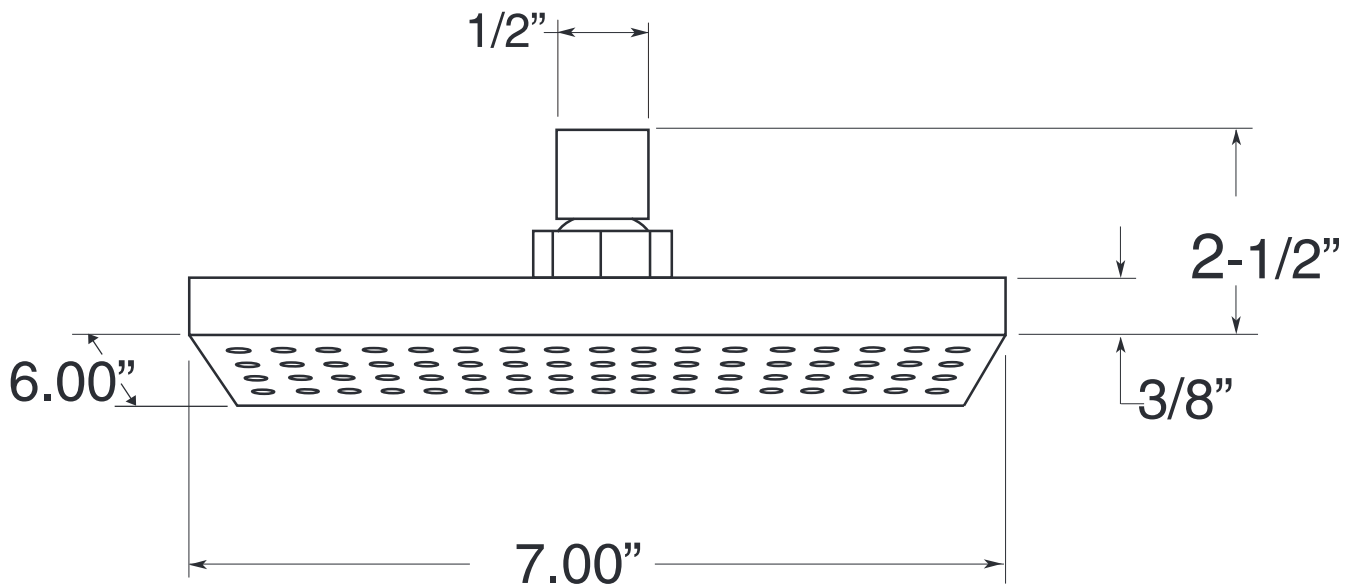
FEATURES:

- All brass construction
- 1/2" female inlet with swivel connection
- Flexible spray nozzles allow for easy removal of hard water build-up
- 2.5 gpm flow restrictor installed
- Water saving 2.0 gpm available - upon request
- Available in all Sigma finishes
- Meets: ASME A112.18.1-2005 / CSAB 125.1-2005

Specifications

Showerhead

6 "x 7" Rectangular
Easy Clean
Showerhead
18.10.037



Note: Measurements are subject to change or cancellation. No responsibility is assumed for use of superseded or voided pages.