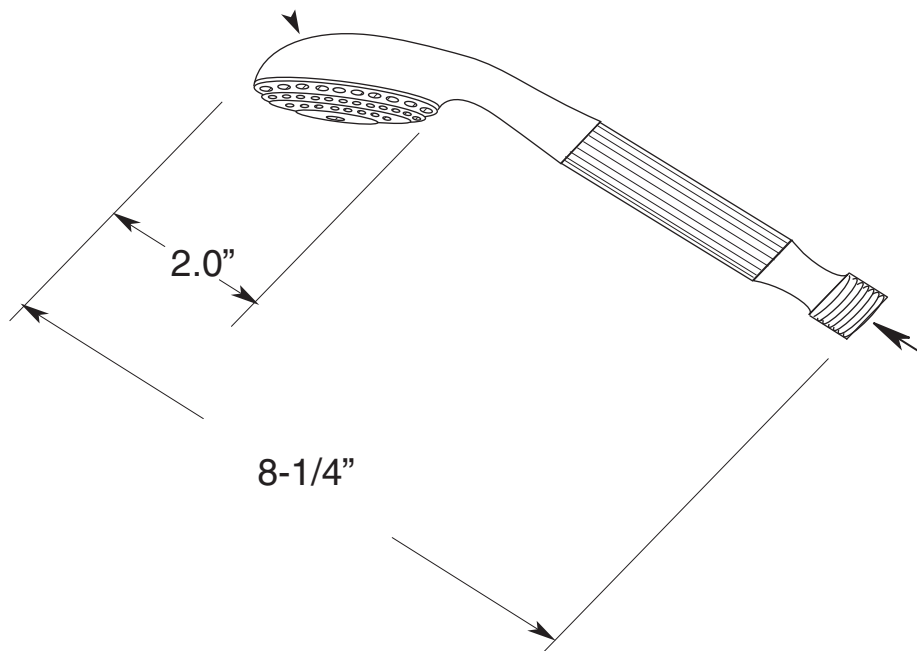


FEATURES:

- All brass construction.
- Black plastic face plate - p/n: 18.10.275
- 1/2" male connection
- 2.5 gpm flow restrictor installed.
- Water saving 2.0 gpm available - upon request
- Available in all Sigma finishes.
- Meets: ASME A112.18.1-2005 / CSAB 125.1-2005

Specifications
Handshower

Handshower Wand
18.10.023



Note: Measurements are subject to change or cancellation. No responsibility is assumed for use of superseded or voided pages.