



## TARA COLD WATER DISPENSER - Chrome

TARA

17 872 888 Product version from 3/1/2025



- 5-3/4" Projection
- Swiveling spout 360°
- Laminar stream
- Total height 11-3/8"
- 7-1/8" height to aerator/spout outlet
- 1-3/8" hole diameter
- Provides filtered water
- Water flow rate limited to max. 1 gpm
- mechanical valve
- lead-free
- This product can help a building meet the requirements of Green Building Rating Systems, e.g. LEED®, BREEAM®, DGNB

Compatible with standard filtration systems or chillers with 1/4" compression connection e.g. Mountain Plumbing MT670-2.

We recommend replacing the filter cartridge every six months. Filter not supplied by Dornbracht. Please see the installation manual for more information.

Specification and technical data sheets can be found on [www.dornbracht.com/professional](http://www.dornbracht.com/professional)

(ADA)

NOTE: Not compatible with Reverse Osmosis

NOTE: Not compatible with Reverse Osmosis

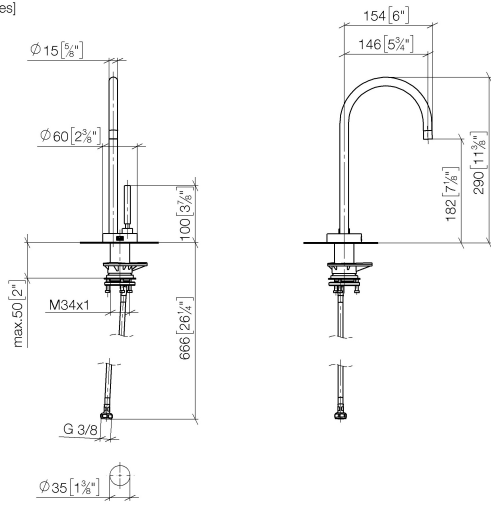
The installation must be above a kitchen sink.

Not compatible with reverse osmosis filtration

	Chrome	17 872 888-00
	Brushed Platinum	17 872 888-06
	Platinum	17 872 888-08
	Durabross (23kt Gold)	17 872 888-09
	Dark Chrome	17 872 888-19
	Brushed Durabross (23kt Gold)	17 872 888-28
	Matte Black	17 872 888-33
	Brushed Bronze	17 872 888-42
	Brushed Champagne (22kt Gold)	17 872 888-46
	Champagne (22kt Gold)	17 872 888-47
	Brushed Chrome	17 872 888-93
	Brushed Dark Platinum	17 872 888-99

17 872 888 Product version from 3/1/2025

mm [inches]

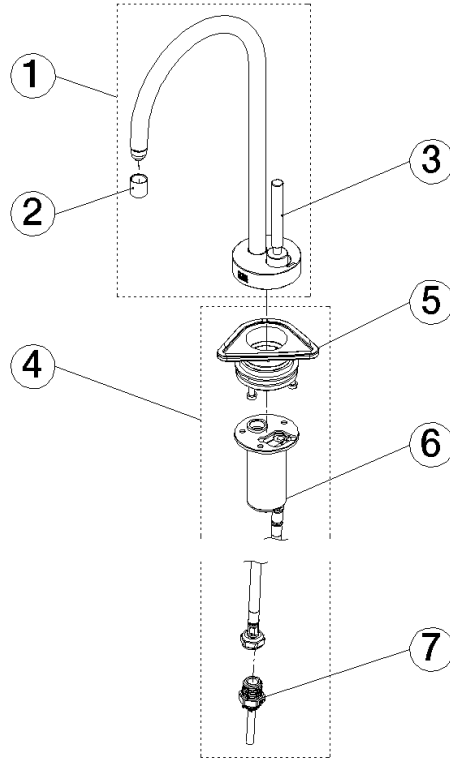


**Codes & Standards**

ADA

17 872 888 Product version from 3/1/2025

Parts for other finishes can be found here: Brushed Platinum



### Spare parts list

Number	Item Number	Designation	Number of units	Lead time
1	90 17 87 288 80-00	spout	1.00	10
6	90 30 01 221 00 90	hose	1.00	2
7	90 24 04 293 02 90	adaptor	1.00	2
3	90 20 87 022 00-00	handle	1.00	10
2	90 18 40 163 01-00	aerator	1.00	10
5	90 30 10 057 00 90	fixing set	1.00	2
4	90 17 87 287 51 90	set	1.00	2