

17 871 875 Product version from 3/1/2025



- 146mm projection
- pivotable spout 360°
- laminar flow
- height of mixer 289 mm
- height up to laminar flow regulator 180 mm
- hole diameter 35 mm
- provides filtered, hot water up to 93°C
- Provides filtered water
- max. flow 3.8 l/min at 3 bar flow pressure
- mechanical valve
- lead-free
- lever
- This product can help a building meet the requirements of Green Building Rating Systems, e.g. LEED®, BREEAM®, DGNB

A minimum flow pressure of 3 bar is necessary for the HOT & COLD WATER DISPENSER to work perfectly in conjunction with a hot water tank and filter.

Compatible with standard filtration systems or chillers with 1/4" compression connection.

The installation must be above a kitchen sink.

The filter cartridge must be changed every six months. The installation instructions contain further information for guidance.

Detailed planning information and technical data can be found at www.dornbracht.com/professional

NOTE: Not compatible with Reverse Osmosis

Not compatible with reverse osmosis filtration

Instantly boiling hot water by pulling the lever forward – version without child safety lock.

	Chrome	17 871 875-00
	Brushed Platinum	17 871 875-06
	Platinum	17 871 875-08
	Durabronze (23kt Gold)	17 871 875-09
	Dark Chrome	17 871 875-19
	Brushed Durabronze (23kt Gold)	17 871 875-28
	Matte Black	17 871 875-33
	Brushed Bronze	17 871 875-42
	Brushed Champagne (22kt Gold)	17 871 875-46
	Champagne (22kt Gold)	17 871 875-47
	Brushed Chrome	17 871 875-93
	Brushed Dark Platinum	17 871 875-99

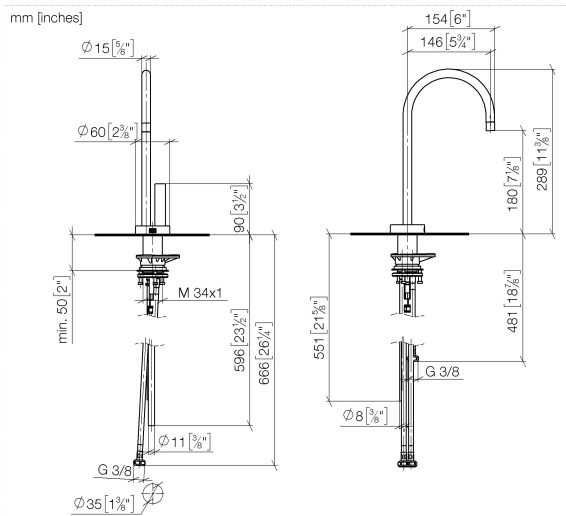
Recommended miscellaneous

Adapter -

12 520 970 90

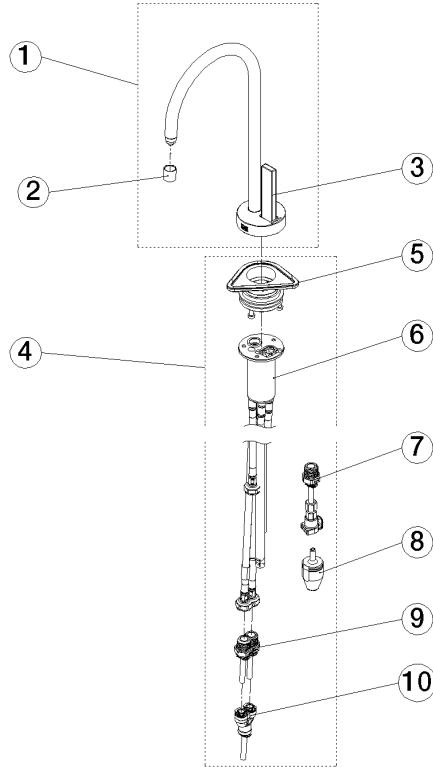


17 871 875 Product version from 3/1/2025



Certificates and sustainability

EPD-DOR-20230287
-IBA1-EN
Environmental product declaration



Spare parts list

No.	Item Number	Name	Quantity used	Delivery time
1	90 17 87 187 50-00	Spout Complete set for Hot and Cold Water Dispenser - Chrome	1.00	10
2	90 18 40 163 01-00	Sleeve 18 x 17 x 18 mm - Chrome	1.00	10
6	90 30 01 220 00 90	Hose set HCWD -	1.00	2
7	90 24 04 293 00 90	Adapter -	1.00	2
10	90 24 04 364 00 90	Adapter -	1.00	2
8	90 24 04 291 00 90	Connection Venting valve, HCWD Ø 26 x 58 mm -	1.00	2
4	90 17 87 179 01 90	Hose set complete for Hot & Cold Water Dispenser -	1.00	2
3	90 20 87 028 02-00	Lever without child lock function HCWD - Chrome	1.00	10
9	90 24 04 293 01 90	Adapter -	1.00	2
5	90 30 10 057 00 90	Attachment set -	1.00	2