

AXOR Montreux

Axor Montreux Showerpipe, 2.5 GPM

Finishes : **polished nickel** Part no. : **16570831**



Description

Features

- Shower outlet flow: 2.5 GPM (9.5 L/min)
- Anti-scald 100° safety stop
- Integrated volume control/diverter for 2 functions
- Exposed installation

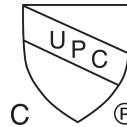
Item details

List Price \$ 3,377.00

Technology



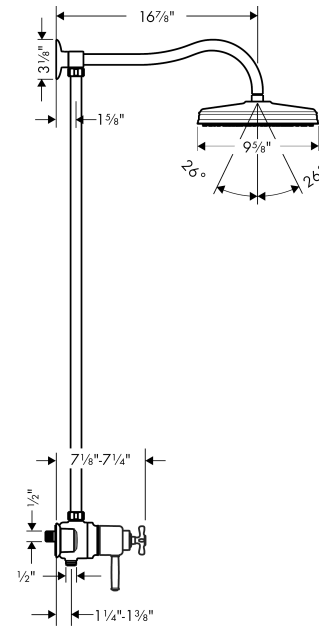
Compliance



Product image



Scale drawing



AXOR Montreux

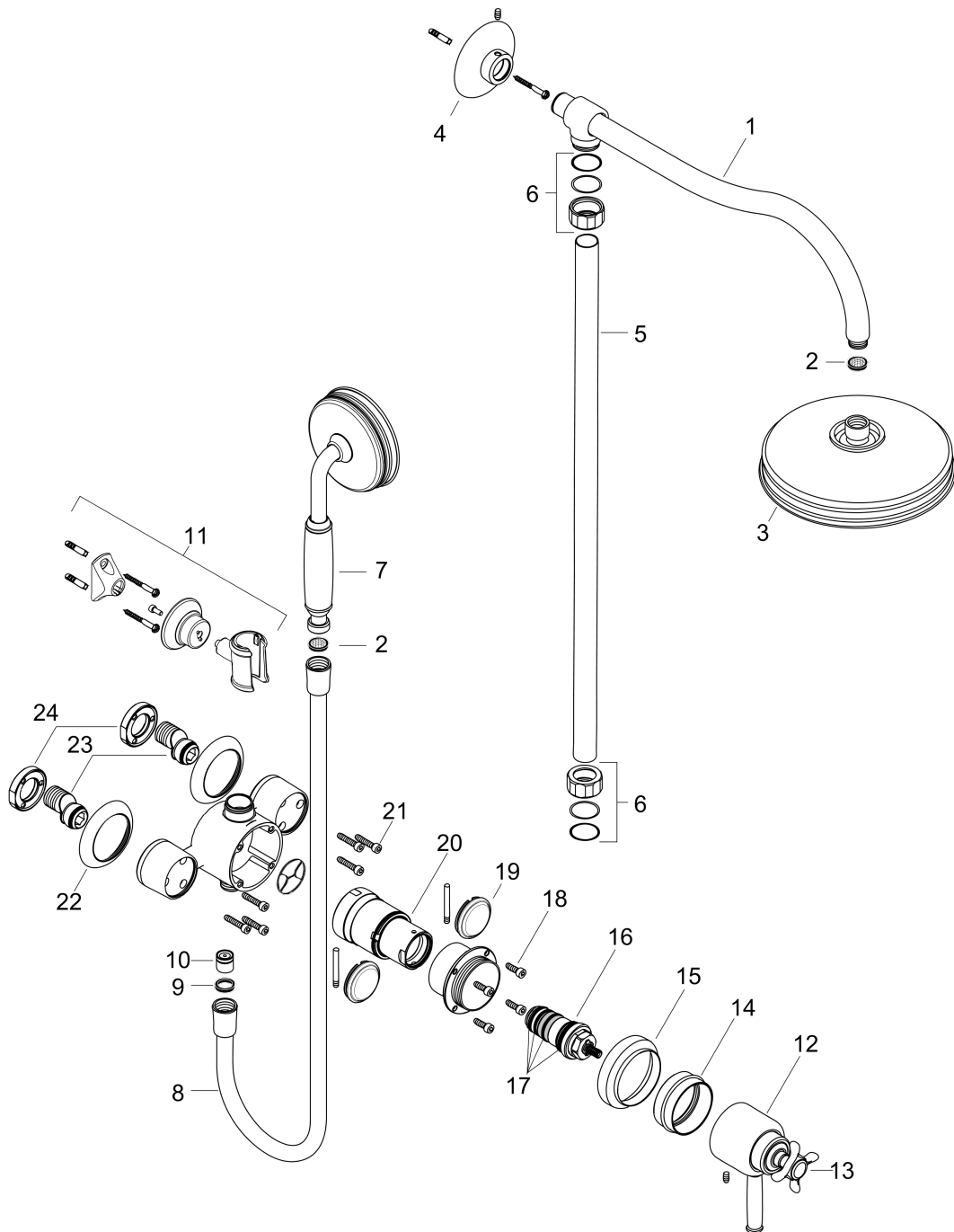
Axor Montreux Showerpipe, 2.5 GPM

Finishes : polished nickel Part no. : 16570831



Exploded drawing

Year of production: 06/06 - 12/18



AXOR Montreux

Axor Montreux Showerpipe, 2.5 GPM

Finishes : **polished nickel** Part no. : **16570831**



Spare parts list

Year of production: **06/06 - 12/18**

Pos.	Description	Part no.	Price	PU
1	shower arm	96747830	-	1
2	filter packing	94246000	-	1
3	showerhead cpl.	28474821	-	1
4	wall flange	96745830	-	1
5	pipe 1000 mm	96743830	-	1
6	sleeve nut	96746830	-	1
7	handshower	16320831	-	1
8	shower hose 1,60 m	28276833	-	1
9	seal	98058000	-	1
10	set of non return valves DW 15	94074000	-	1
11	shower holder	16325830	-	1
12	handle for thermostat	16596830	-	1
13	set of screw covers, cold / hot water / neutral	97987000	-	1
14	nut	96738830	-	1
15	escutcheon	96739830	-	1
16	thermostat cartridge	94282000	-	1
17	sealing set	95037000	-	1
18	hexagon socket screw M5x12	98639000	-	1
19	cover	96748830	-	1
20	shut off unit with selector	96740000	-	1
21	hexagon socket screw M5x25	97664000	-	1
22	escutcheon	96741830	-	1
23	set of S-unions	96742001	-	1
24	straining ring	97832000	-	1
a	pipe 1000 mm	96743830	-	1