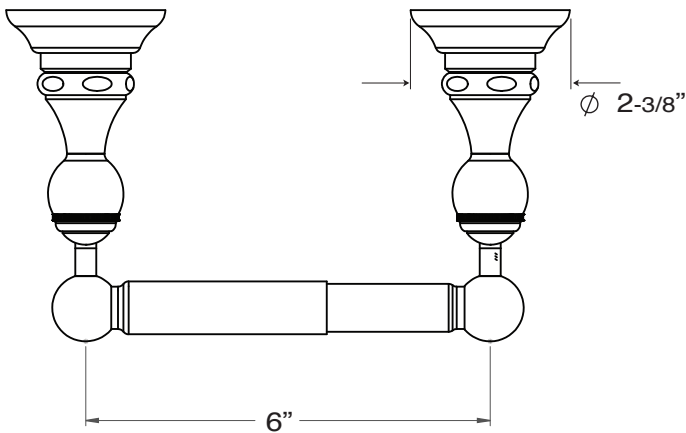


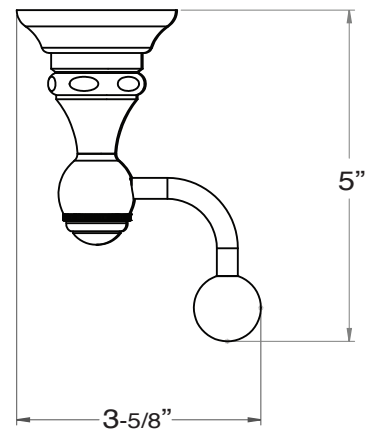
#### FEATURES:

- All brass construction.
- Available in all Sigma finishes.
- Warranty varies according to finish selection.
- Mounting brackets and screws are supplied.

Series 61  
Paper Holder  
1.61PH00



**BOTTOM VIEW**



**SIDE VIEW**