

## Talis S<sup>2</sup>

HighArc Kitchen Faucet, installation in front of a window, 2-Spray Pull-Down, 1.75 GPM

Finish: **chrome** Part no. : **14877001**



### Description

#### Features

- Swivel range 150°
- Normal spray, needle spray
- Non-locking spray diverter
- MagFit magnetic sprayhead docking
- Deck mounted
- Flow: 1.75 GPM (6.6 L/Min)
- Ceramic cartridge
- 3/8" connections
- Integrated double backflow prevention
- EPD Kitchen Faucets

### Item details

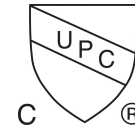
List Price

\$ 804.00

### Technology



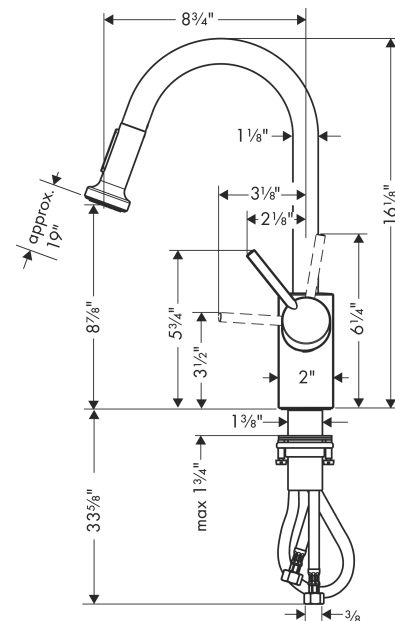
### Compliance / Sustainability



### Product image



### Scale drawing



Talis S<sup>2</sup>

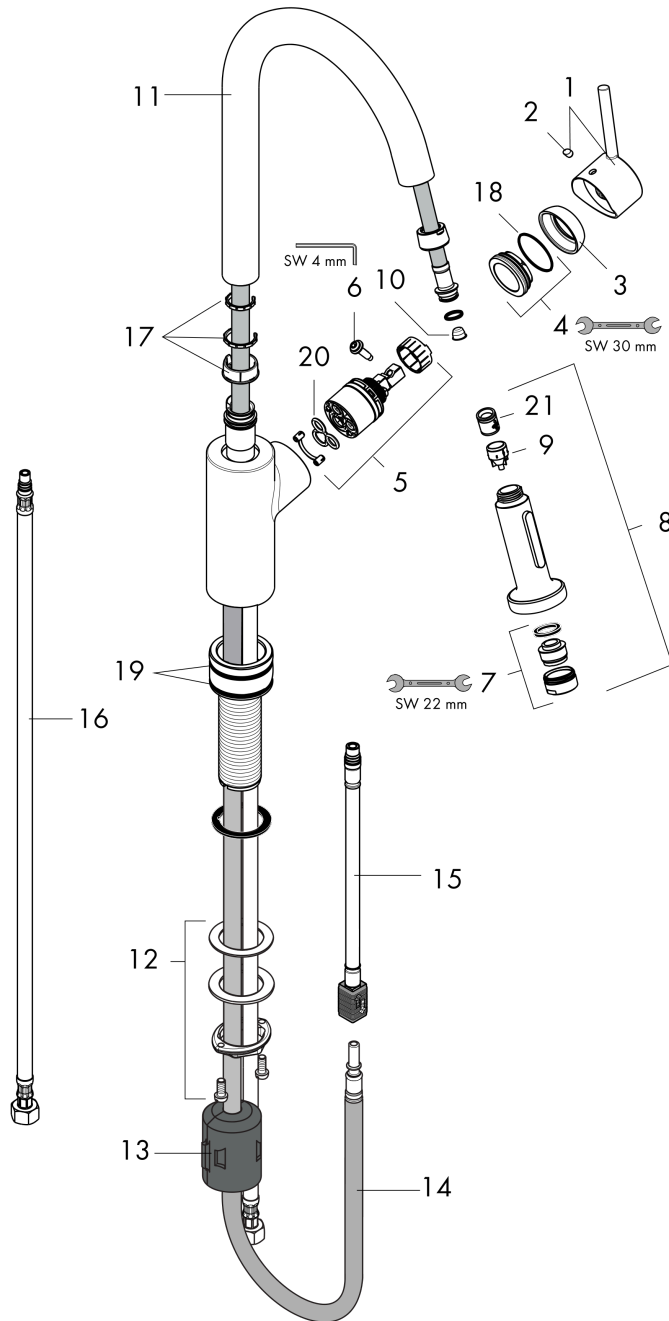
HighArc Kitchen Faucet, installation in front of a window, 2-Spray Pull-Down, 1.75 GPM

Finish: chrome Part no. : 14877001



Exploded drawing

Year of production: >11/20



**Talis S<sup>2</sup>**

**HighArc Kitchen Faucet, installation in front of a window, 2-Spray Pull-Down, 1.75 GPM**

Finish: **chrome** Part no. : **14877001**



**Spare parts list**

Year of production: >11/20

Pos.	Description	Part no.	Price	PU
1	handle	95560000	-	1
2	screw cover	96338000	-	1
3	flange	95498000	-	1
4	nut	97209000	-	1
5	cartridge, assy	92730000	-	1
6	locking screw for handle	95140000	-	1
7	aerator M24x1 (15 l/min)	13913000	-	1
8	spray head cpl.	88658000	-	1
9	set of non return valves DW 15	97350000	-	1
10	filter	97735000	-	1
11	spout cpl.	95562000	-	1
12	fixing set (Ø 34)	95049000	-	1
13	weight	98551000	-	1
14	hose 1,50 m	88624000	-	1
15	connection hose 600 mm M10x1	95561000	-	1
16	connection hose 35½" M8x0,75 3/8"	96316001	-	1
17	set of lever collars	98365000	-	1
18	O-Ring 32x2	98193000	-	1
19	O-ring 41x2	98212000	-	1
20	seal	95008000	-	1
21	non return valve	93218000	-	1