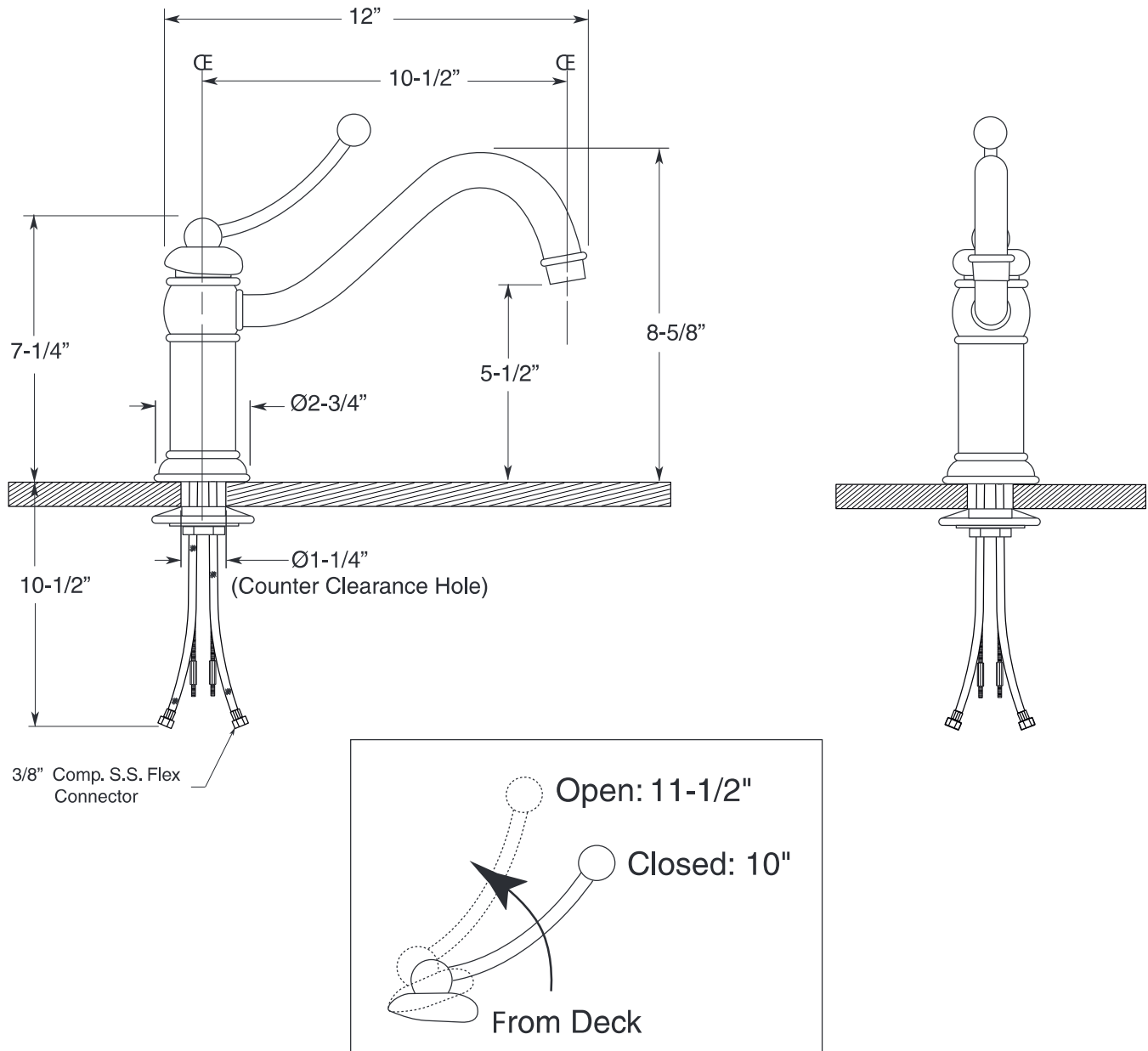


**FEATURES:**

- All brass construction
- Available in all Sigma finishes
- Maximum deck thickness: 5"
- Replacement cartridge: 18.07.144
- Certified to meet or exceed the following codes and standards:  
ASME A112.18.1/CSA B 125.1-2011

Single Lever Kitchen  
1.3695020



Note: Measurements are subject to change or cancellation. No responsibility is assumed for use of superseded or voided pages.