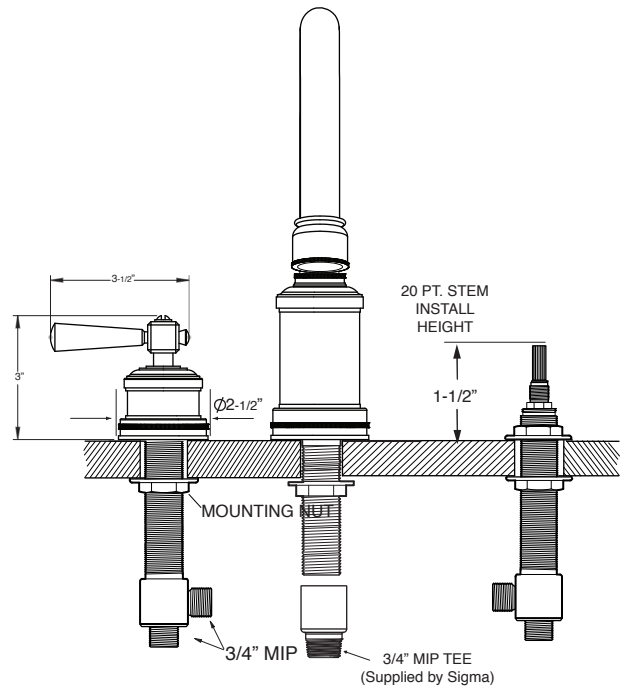
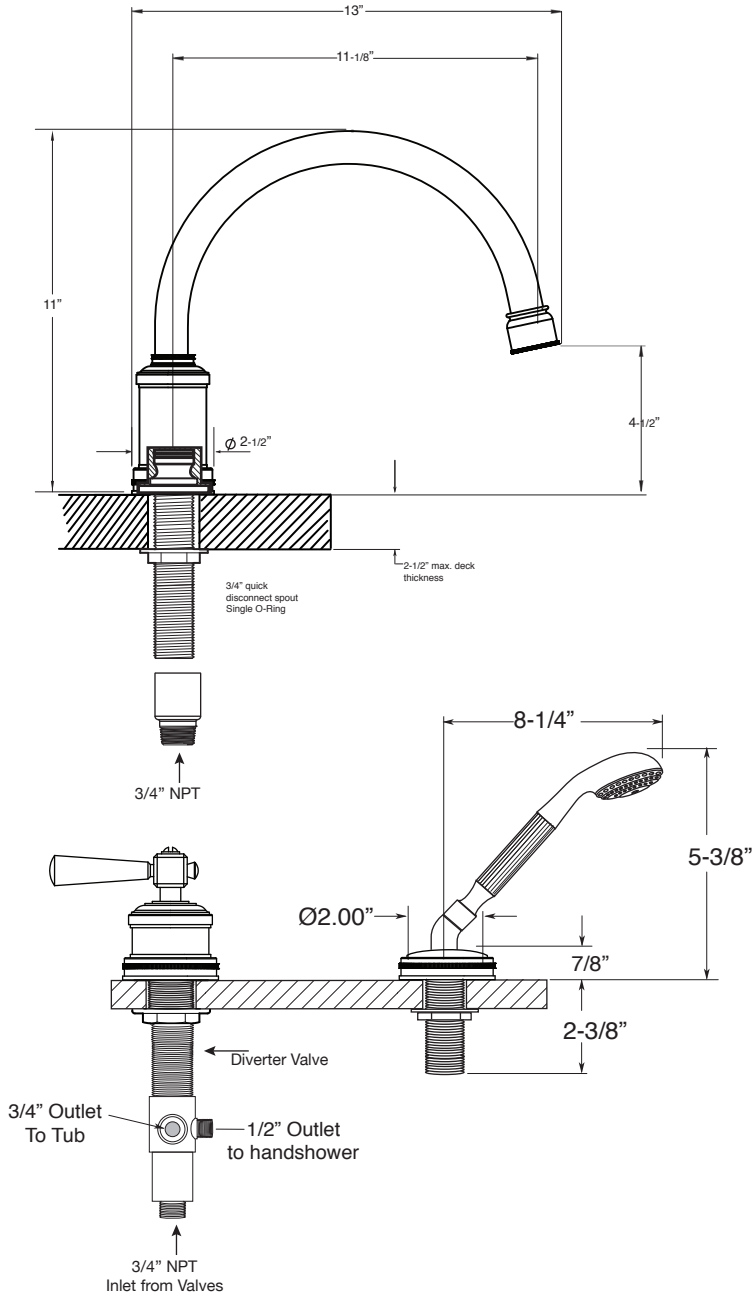


**FEATURES:**

- All brass construction.
- Lever style handles with top screw attachment.
- 3/4" valve bodies with 1/4-turn ceramic disc cartridge.
- Available in all finishes. Warranty varies according to finish.
- Certified to meet or exceed the following codes and standards:  
ASME A112.18.1/CSAB 125.1-2012

Regent  
Roman Tub Set with Deckmount  
Handshower and Diverter  
1.255393  
(1.255393T - Trim only)



NOTE: Spout and valves install through 1-1/4" diameter holes. Diverter valve installs through  $\phi 1-1/2"$  hole. Plumber to provide 3/4" supply lines to valves

Note: Measurements are subject to change or cancellation. No responsibility is assumed for use of superseded or voided pages.