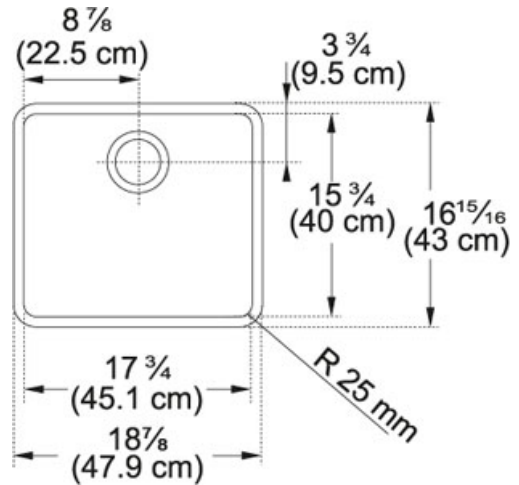


Kubus KBX110-18 Stainless Steel | 122.0035.123

FAMILY : Sinks | SERIE : Kubus | MODEL : KBX110-18 | FINISH : Stainless Steel | INSTALLATION TYPE : Undermount | STYLE : Transitional



Kubus models feature straight lines and tight radius corners for a fresh new aesthetic. Available in double undermount configurations or as individual sinks.

TECHNICAL DATA

Minimum Cabinet Size	24"
Drain Opening	3 1/2"
Length overall	18 7/8"
Width overall	16 15/16"
Length of large bowl	17 3/4"
Width of large bowl	15 3/4"
Depth of large bowl	9 1/16"
Number of Bowls	1
Cutout Length	17 11/16"
Cutout Width	15 3/4"
Type of Material	18 Gauge Stainless Steel
Cut-Out Template	Yes
Installation Clips	Yes
Franke Integral Ledge	BUILT-IN
Where to buy	Showroom
Where to buy	Showroom

Kubus KBX110-18 Stainless Steel | 122.0035.123

FAMILY : Sinks | SERIE : Kubus | MODEL : KBX110-18 | FINISH : Stainless Steel | INSTALLATION TYPE : Undermount | STYLE : Transitional

RECOMMENDED



115.0298.341



120.0355.523



119.0068.281



134.0297.202



133.0171.120



119.0066.616
