



Elise 2

63" x 32" x 20.625"

GENERAL SPECIFICATIONS:

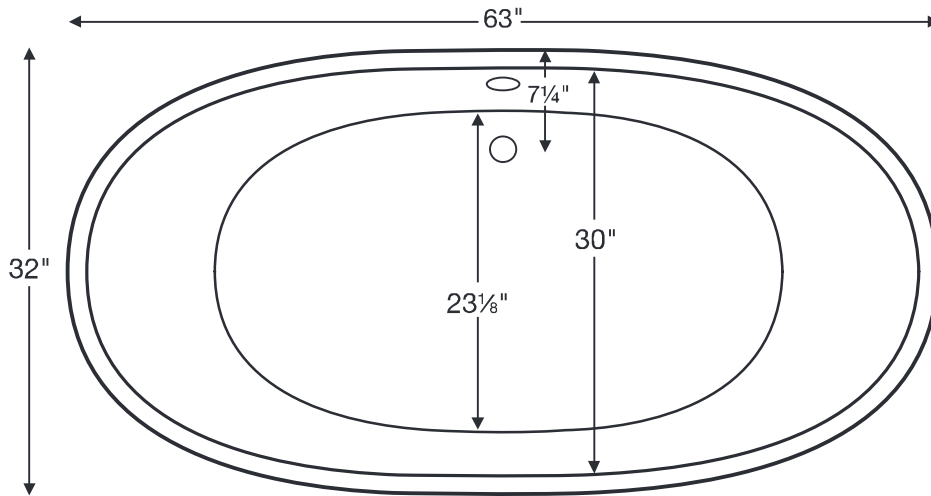
Material - Engineered Solid Stone (ESS®)

Installation - Freestanding - *cannot be undermounted*
Not recommended as a tub / shower combination.

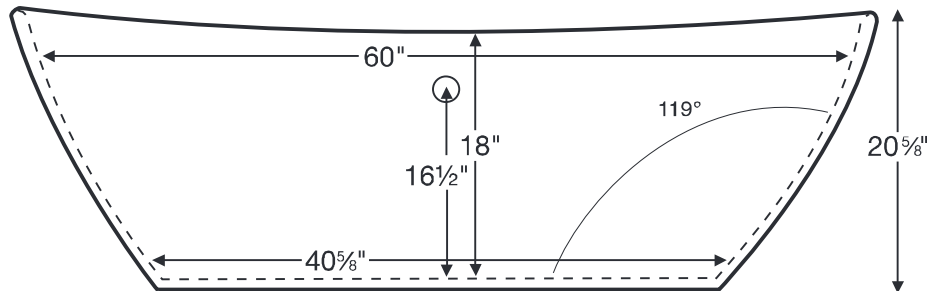
Soaker Weight - 175 lbs / 79 kg

Maximum Fill - 74 gal to overflow

NOTE: Filling this tub to the maximum may require an above average size or dedicated water heater.



SEE IMPORTANT ORDERING & INSTALLATION INFORMATION BELOW



IMPORTANT ORDERING & INSTALLATION INFORMATION

- Elise 2 is available only as a soaker. To order an air bath see Elise 5 #194 on p. A-33
- Requires partial or complete sub-floor drain installation. See installation manual for important installation information.
- Tub is pre-drilled with an overflow, but can be specified without (see local codes).
- Requires use of a wall-mounted or freestanding tub filler.
- Measurements are $\pm 1/2$ " and are subject to change without notice.
- Options and accessories are packaged inside the tub crate for delivery.
- Data herein supersedes all prior to publication date shown below.

See the "Boutique Collection Tubs Installation & Operation Manual" included with tub delivery or go to mtibaths.com/support/installation_operation/manuals for all the information necessary to install and operate the tub.

MTI's Customer Service Department is available Monday-Friday 8am-6pm EST at 800-783-8827 or customerservice@mtibaths.com to answer any questions pertaining to ordering or installation.

CSA Certified C/US; ANSI Z124.1