

FEATURES:

- Forged brass construction.
- Thermostatic valve cartridge: 18.30.082
- Screwdriver spring check valve: (2) 18.30.181
- 14.5 GPM @ 45PSI (9.5 top exit)
- Certified to meet or exceed the following codes and standards:
ASME A112.18.1/CSAB 125.1-2012

1/2" Thermostatic

No Volume Control
Valve & Trim

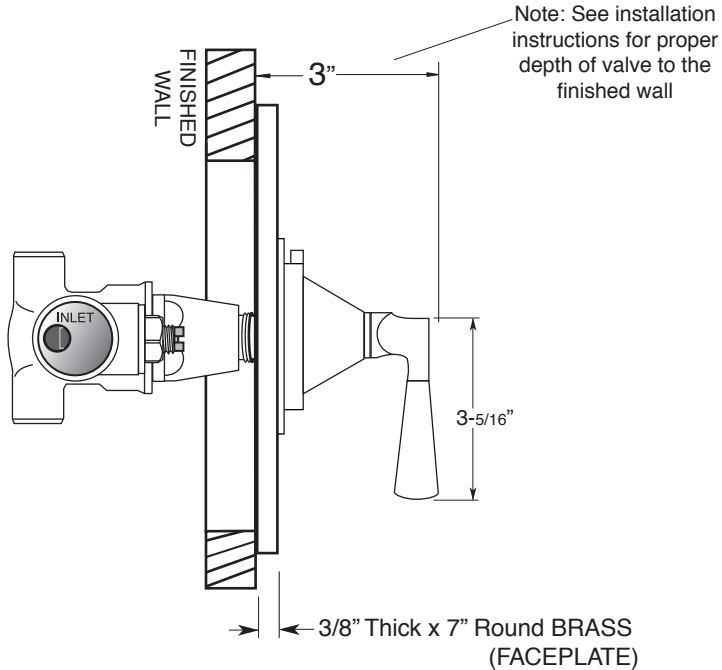
1.076096.V0

Harlow Handle

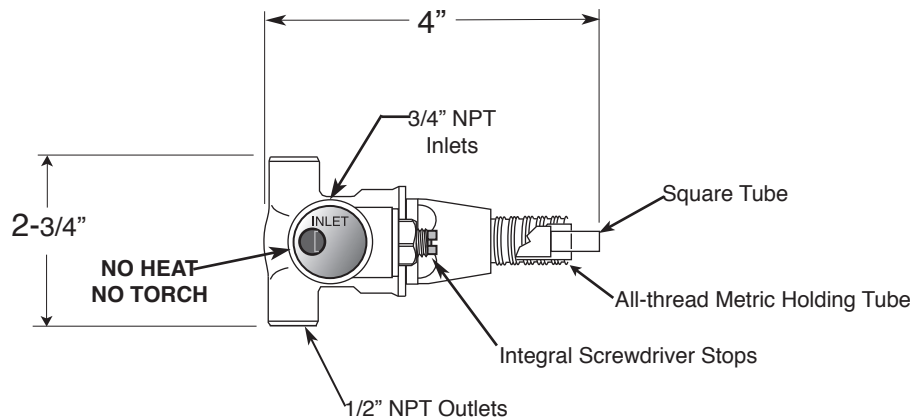
(1.076096.V0T - Trim Only)

Note: Separate shut-offs required to operate system.

SIDE VIEW - INSTALLED



SIDE VIEW - VALVE ONLY



Note: Measurements are subject to change or cancellation. No responsibility is assumed for use of superseded or voided pages.