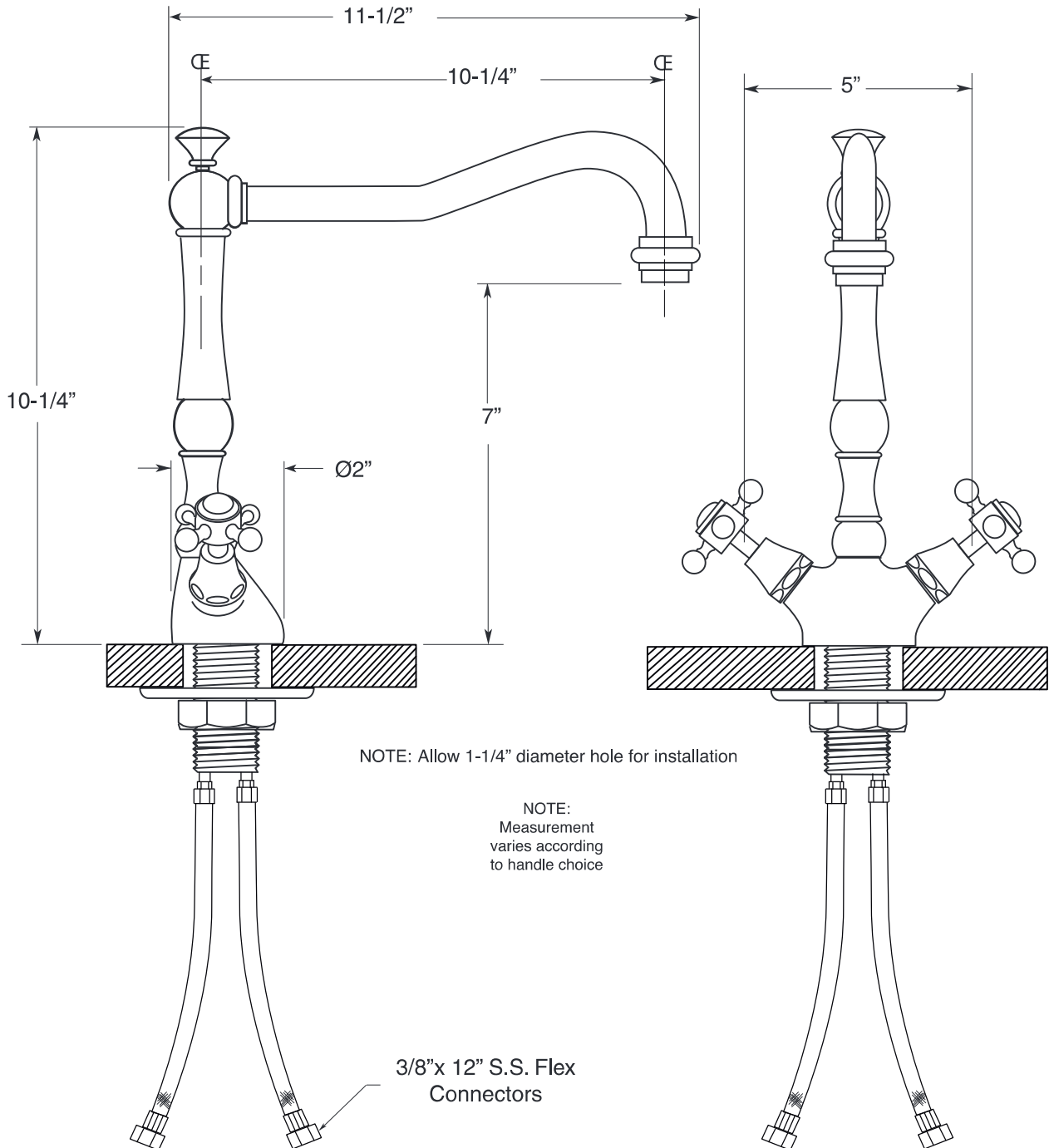


FEATURES:

- All brass construction
- Available in all Sigma finishes
- 12" Stainless steel flex lines are supplied
- Maximum deck thickness: 1-3/4"
- Replacement cartridge: 18.30.029 - cold, 18.30.030 - hot
- Meets: ASME A112.18.1-2005/CSAB125.1-2005

Single Hole Y-Body with
Extended Swivel Spout
1.065510
St. Michel Handle



Note: Measurements are subject to change or cancellation. No responsibility is assumed for use of superseded or voided pages.