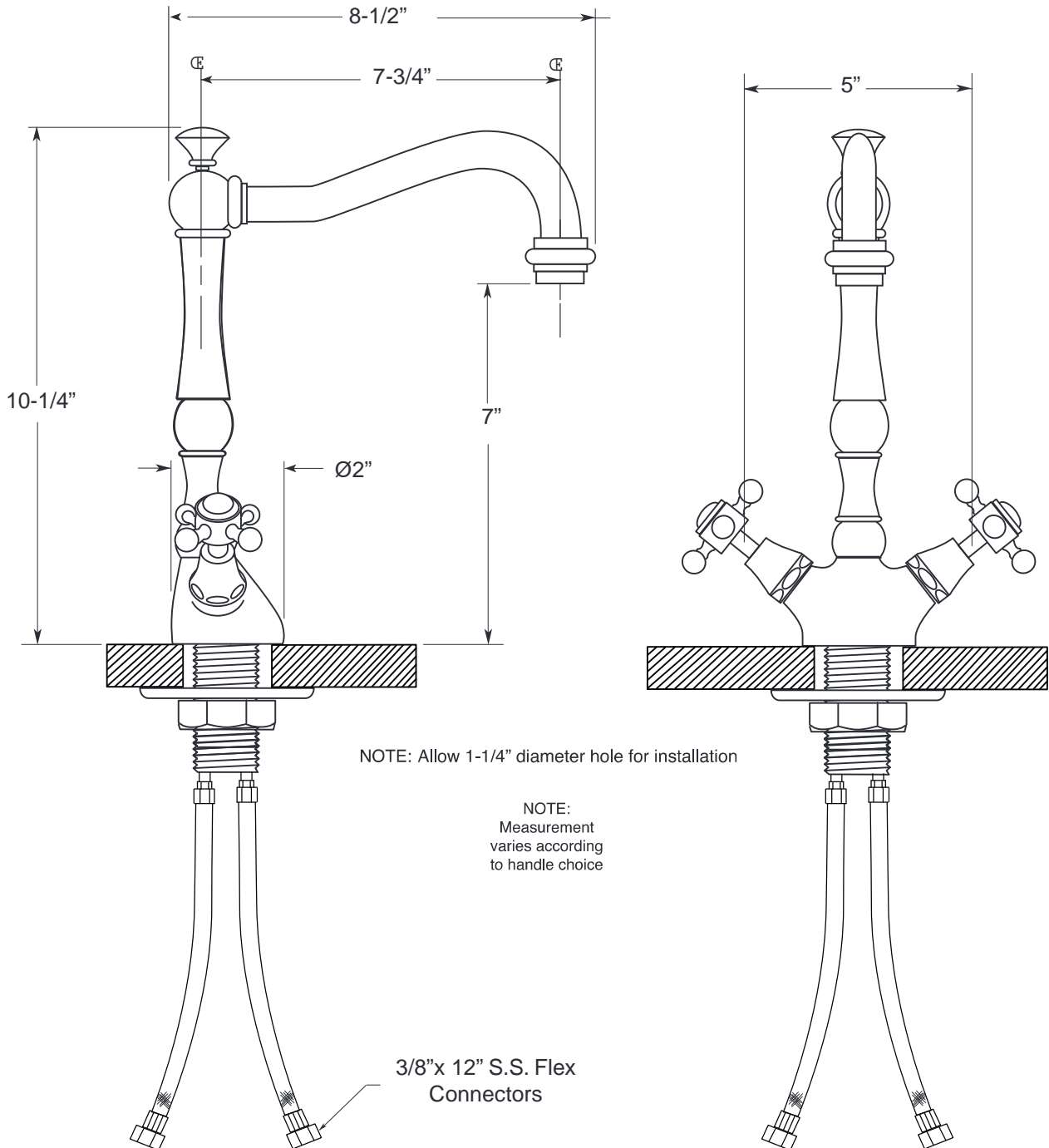


FEATURES:

- All brass construction
- Available in all Sigma finishes
- 12" Stainless steel flex lines are supplied
- Maximum deck thickness: 1-3/4"
- Replacement cartridge: 18.30.029 - cold, 18.30.030 - hot
- Certified to meet or exceed the following codes and standards:
ASME A112.18.1/CSA B 125.1-2011

SPECIFICATIONS
Kitchen & Bar

Single Hole Y-Body
Swivel Spout Bar Faucet
1.055510
St. Michel Handle



Note: Measurements are subject to change or cancellation. No responsibility is assumed for use of superseded or voided pages.