

FEATURES:

- Cast brass construction.
- Includes 6-3/4" square plate P/N 18.12.063
- Thermostatic valve cartridge with cover plate: 18.30.147
- Thermostatic reverse cartridge with cover plate: 18.30.161
- 14.28 GPM @ 56 PSI top exit & 11.10 GPM bottom exit
- Meets: ASME A112.18.1/CSA B125.1-2011

3/4" Thermostatic

Valve & Trim

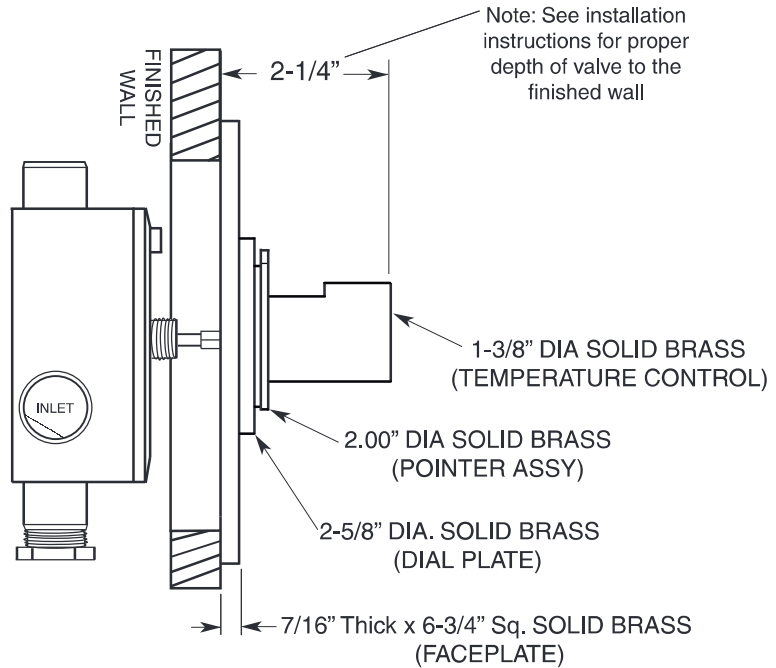
1.050097

1600 Nuance

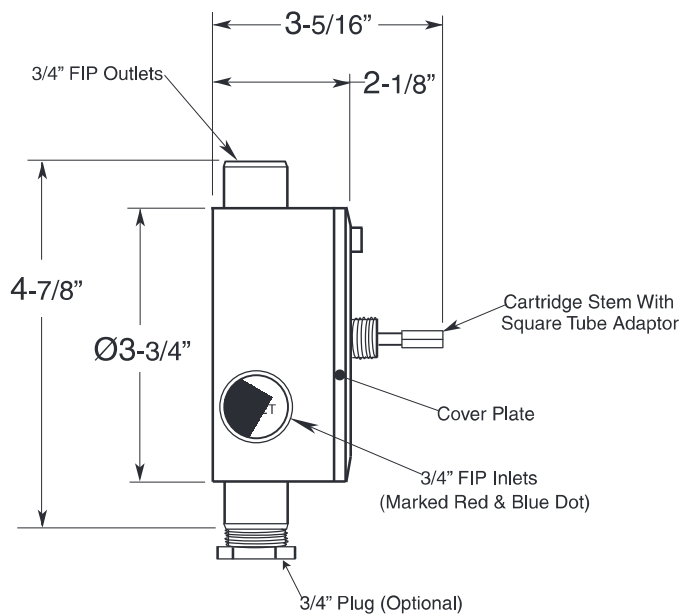
(1.050097T Trim Only)

NOTE: Separate shut offs required to operate system.

SIDE VIEW - INSTALLED



SIDE VIEW - VALVE ONLY



Note: Measurements are subject to change or cancellation. No responsibility is assumed for use of superseded or voided pages.

Parts List Nuance/Stixx

3/4" Thermostatic
No Integral Stops

NOTE: Separate shut-off's required to operate system.

