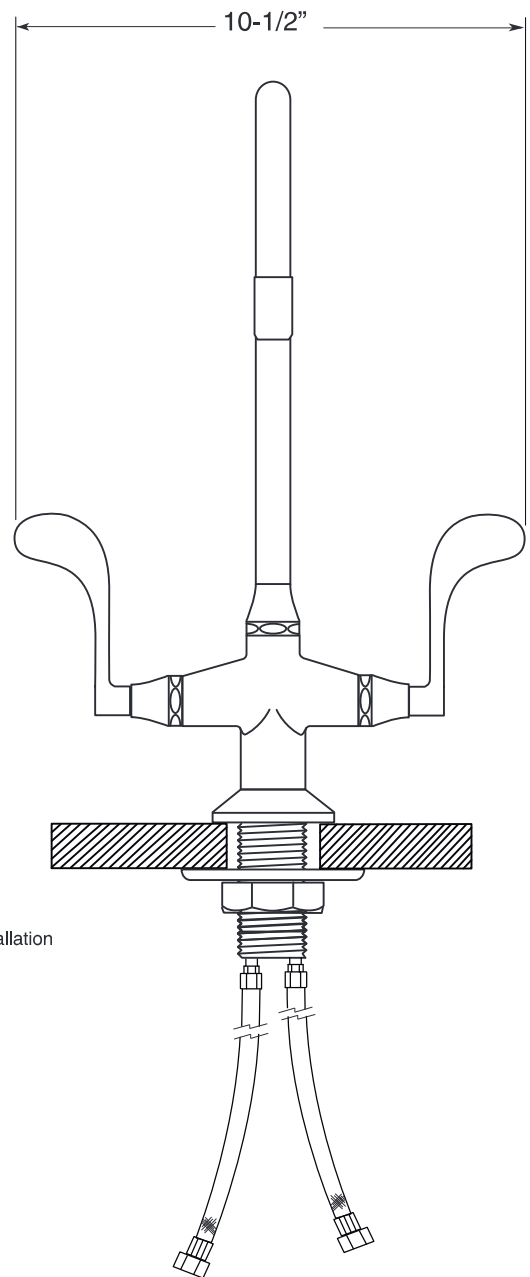
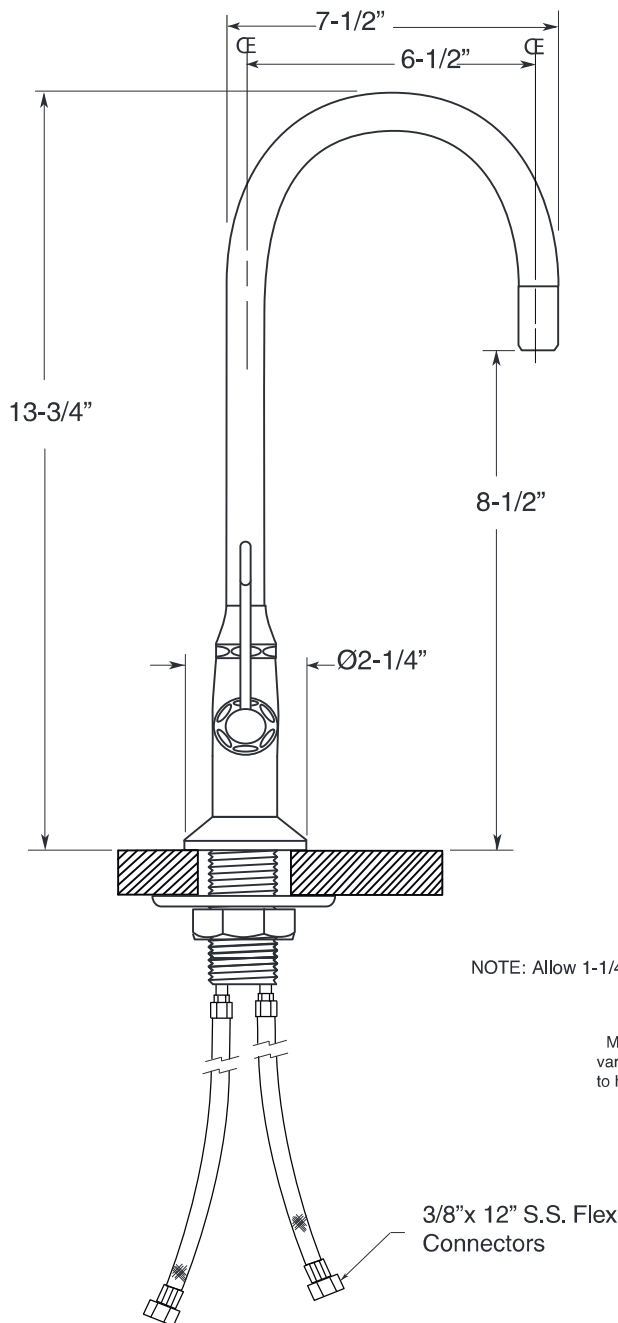


FEATURES:

- All brass construction
- Available in all Sigma finishes
- Concealed aerator requires special supplied removal key
- 12" Stainless steel flex lines are supplied
- Maximum deck thickness: 1-3/4"
- Replacement cartridge: 18.30.029 - cold, 18.30.030 - hot
- Meets: ASME A112.18.1-2005/CSAB125.1-2005

Single Hole T-Body
Swivel Spout Bar Faucet
1.029211
Shown with Wing Handle
(ADA Compliant)



NOTE: Allow 1-1/4" diameter hole for installation

NOTE:
Measurement
varies according
to handle choice

Note: Measurements are subject to change or cancellation. No responsibility is assumed for use of superseded or voided pages.