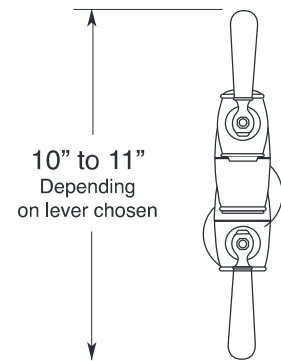
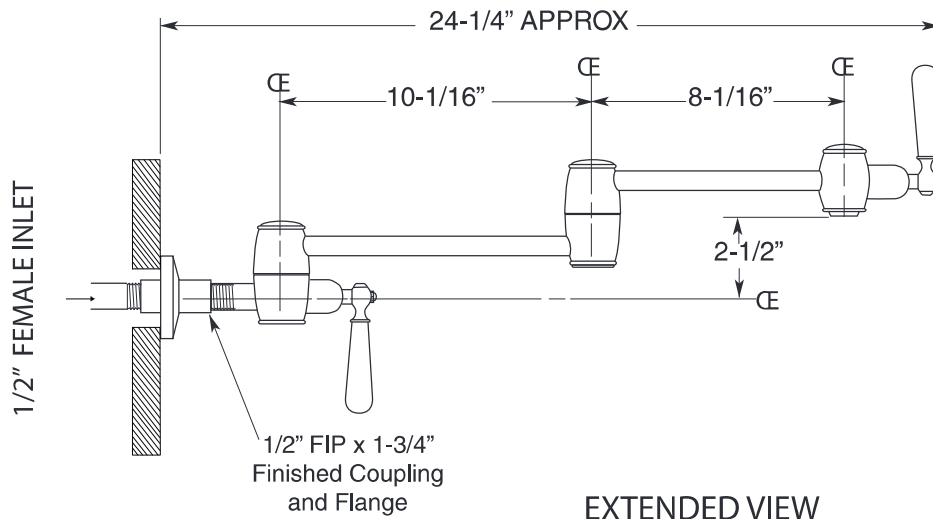


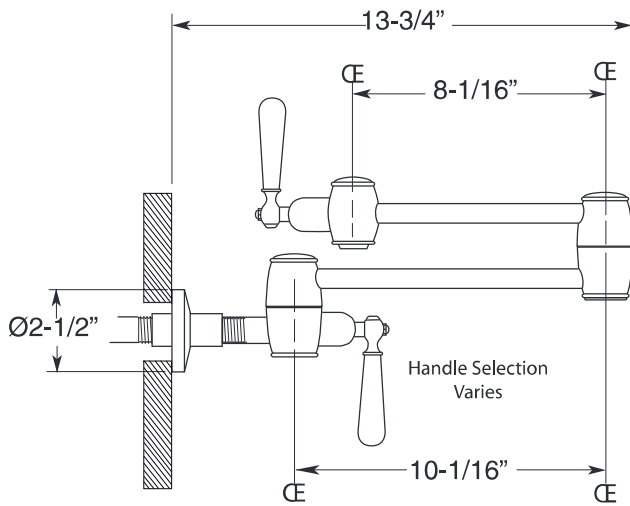
Pot Filler Wallmount
1.0056039
Cold Water Only
Loire Handle

FEATURES:

- All brass construction
- Ceramic disc cartridges P/N 18.30.030
- Available in all finishes. Warranty varies according to finish selection.
- Not all handles available - Contact Customer Service
- Recommended use with handles with top screws only.
- Measurements vary according to handle choice
- Meets: ASME A112.18.1-2005/CSAB125.1-2005



NOTE: Allow 1-1/4" diameter hole for installation



Note: Measurements are subject to change or cancellation. No responsibility is assumed for use of superseded or voided pages.