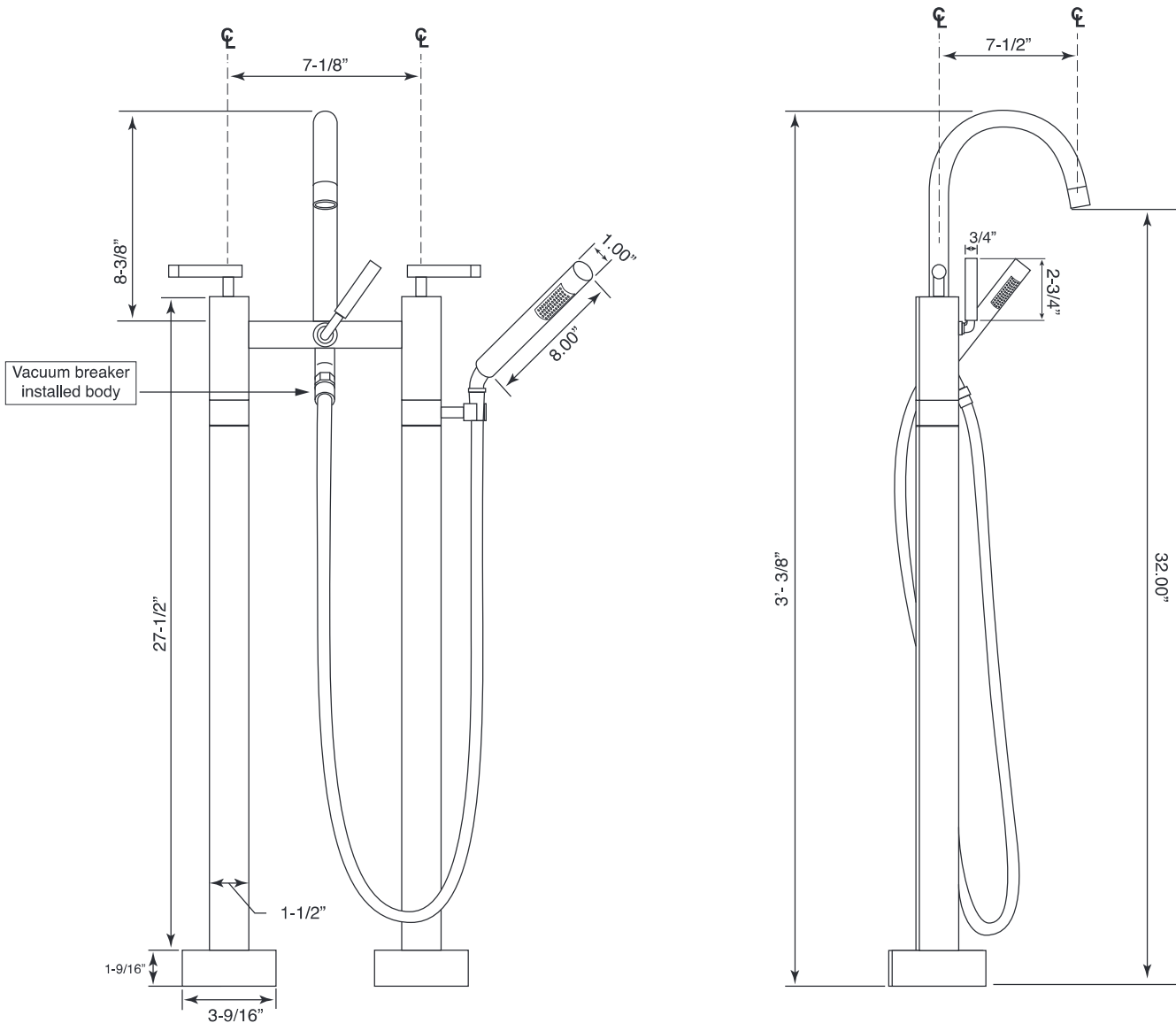


**FEATURES:**

- All brass construction.
- Available in all Sigma finishes
- Rough kit P/N 18.30.227
- Replacement cartridges:  
18.30.303 - COLD / 18.30.302 - HOT
- Flow rate 7.5 gpm / 45 psi
- Meets: ASME A112.18.1-2005/CSA B125.1-2011

**Contemporary Floormount  
Tub Filler with  
Handshower**  
1.0049520  
Polaris II Handle



Note: Measurements are subject to change or cancellation. No responsibility is assumed for use of superseded or voided pages.