

**AXOR Starck**  
**AXOR Starck Classic Single-Hole Faucet, Tall, 1.2 GPM**  
 Finishes : **chrome**    Part no. : **10020001**



## Description

### Features

- Aerated spray
- maximum Flow rate at 44 PSI: 1.2 GPM
- Joystick ceramic cartridge
- pop-up waste set G 1

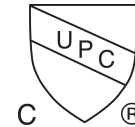
## Item details

List Price \$ 1,214.00

## Technology



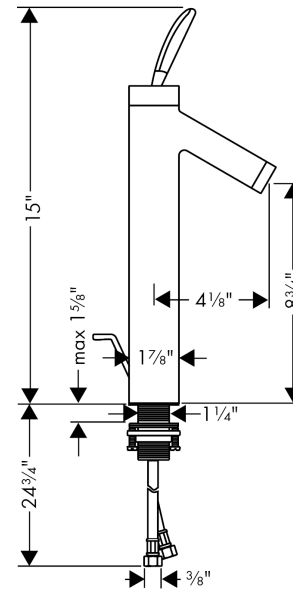
## Compliance



## Product image



## Scale drawing

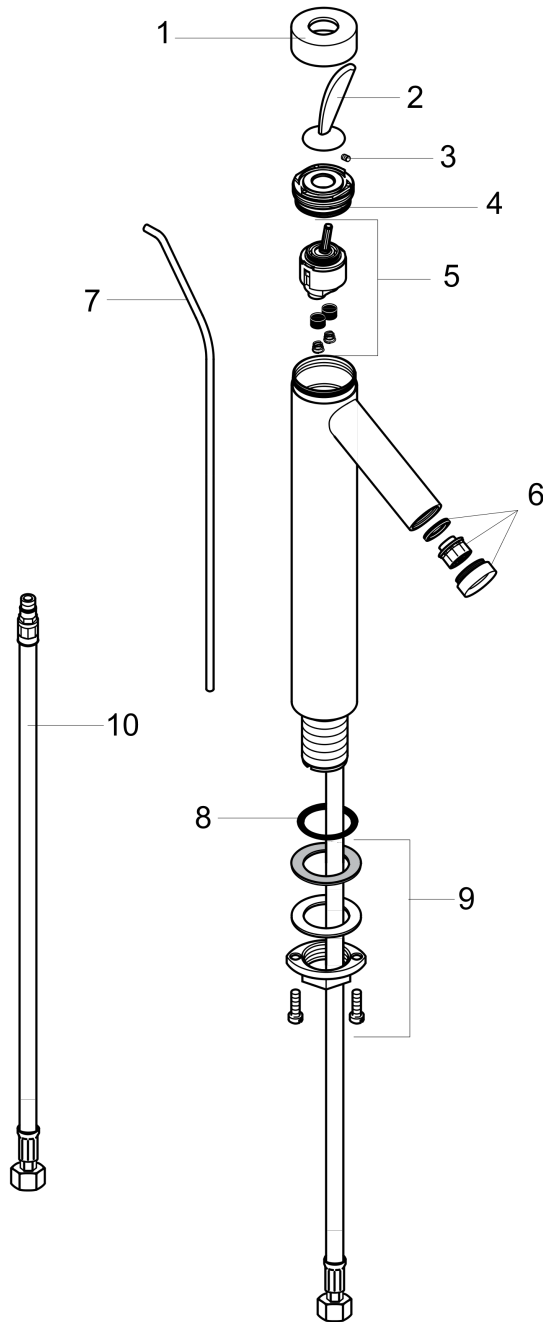


**AXOR Starck**  
**AXOR Starck Classic Single-Hole Faucet, Tall, 1.2 GPM**  
Finishes : **chrome** Part no. : **10020001**



## Exploded drawing

Year of production: >07/16



**AXOR Starck**

**AXOR Starck Classic Single-Hole Faucet, Tall, 1.2 GPM**

Finishes : **chrome** Part no. : **10020001**



**Spare parts list**

Year of production: >07/16

Pos.	Description	Part no.	Price	PU
1	flange	96427000	-	1
2	handle	10090000	-	1
3	hollow set screw M4x6	97767000	-	1
4	nut	97717000	-	1
5	cartridge, assy	96339000	-	1
6	aerator M24x1 (4,5 l/min)	92812000	-	1
7	pop up rod	94006000	-	1
8	O-ring 34x4	98155000	-	1
9	fixing set (Ø 32)	13961000	-	1
10	connection hose 35½" M8x0,75 3/8"	96316001	-	1
a	O-ring 21,95x1,78	95169000	-	1
b	lever collar	97548000	-	1
c	pop up waste	88509000	-	1