

Joleena
Pressure Balance Trim
 Finish: **chrome** Part no. : **04779000**



Description

Features

- Temperature and on/off control for 1 outlet
- Flow: 5.44 GPM (20.6 L/Min)
- Integrated bypass for use with diverter tub spouts
- EPD Shower and Bath Faucets

Item details

List Price \$ 241.00

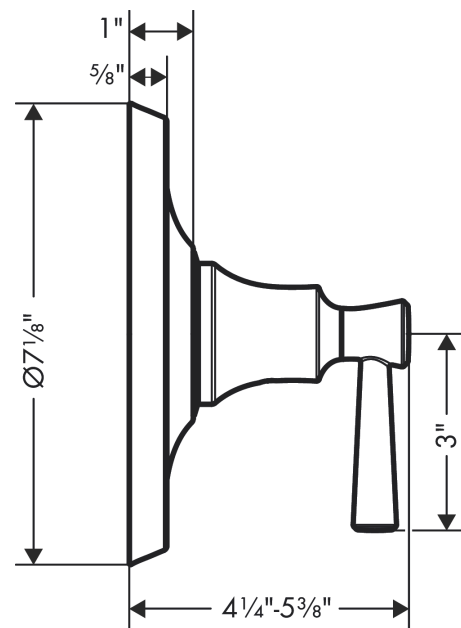
Compliance / Sustainability



Product image



Scale drawing

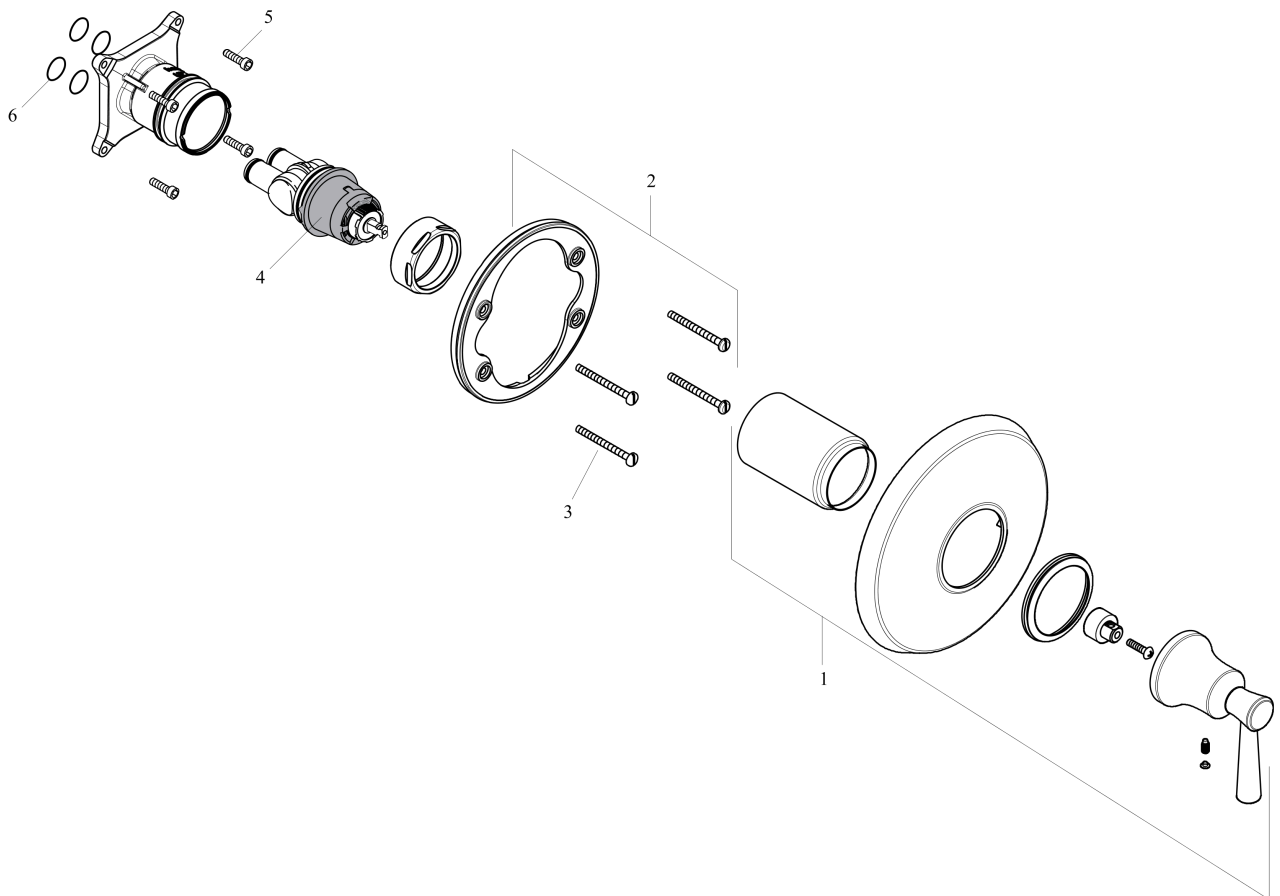


Joleena
Pressure Balance Trim
Finish: **chrome** Part no. : **04779000**



Exploded drawing

Year of production: >01/20



Joleena
Pressure Balance Trim
 Finish: **chrome** Part no. : **04779000**



Spare parts list

Year of production: >01/20

Pos.	Description	Part no.	Price	PU
1	Finish set	93556000	-	1
2	holder for escutcheon	98793000	-	1
3	set of fixing screws	96454000	-	1
4	cartridge, assy	88727000	-	1
5	set of screws	96525000	-	1
6	O-ring 16x2	98133000	-	1
a	extension 25 mm	13595000	-	1
b	set of fixing screws	97747000	-	1
c	extension 22 mm (Ø 170 mm)	13596000	-	1
d	base body	01850181	-	1