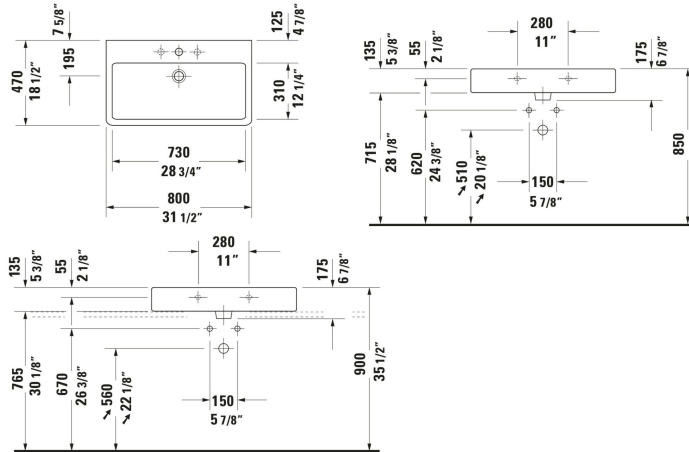


**Vero Wall Mounted Sink # 0454800000 / 0454800027 / 0454800087 / 0454800088**

| < 31 1/2 " > |



Wall Mounted Sink	Dimension	Weight	Order number
Rectangular, Number of basins: 1 Middle, Includes faucet deck: Yes, Back side glazed: No, 31 1/2 " , Internal dimensions: 28 3/4 "x12 1/4 " , ADA: Yes, cUPC listed: Yes			
<b>Colors</b>			
00 White High Gloss			
<b>Variant</b>			
● White High Gloss, Number of faucet holes: 1 Middle, Overflow: Yes	31 1/2 "x18 1/2 "	46.077 lb	0454800000
● White High Gloss, Number of faucet holes: 1 Middle, Overflow: Yes, Ground	31 1/2 "x18 1/2 "	46.077 lb	0454800027
●●● White High Gloss, Number of faucet holes: 3 Middle, Overflow: Yes, Soap dispenser position: Left	31 1/2 "x18 1/2 "	46.077 lb	0454800087
White High Gloss, Number of faucet holes: 3 Middle, Ground	31 1/2 "x18 1/2 "	46.077 lb	0454800088
<b>Accessory for White High Gloss, Number of faucet holes: 3 Middle, Overflow: Yes, Soap dispenser position: Left</b>			
P-Trap	2 3/4 x 16 3/4 "	3.307 lb	005036
Sink Drain Ø 2 1/2 "	Ø 2 1/2 "	0.75 lb	005052

All drawings contain the necessary measurements which are subject to standard tolerances. They are stated in inch & mm and are non-binding. Exact measurements, in particular for customized installation scenarios, can only be taken from the finished ceramic piece.