

Ecostat
Thermostatic Trim S with Volume Control
 Finish: **chrome** Part no. : **04230000**



Description

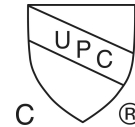
Features

- Volume control for 1 function
- Thermostatic cartridge, Ceramic cartridge
- Flow: 6.0 GPM (22.7 L/Min)
- Optimized for water-efficient shower products
- Anti-scald 100° safety stop
- EPD Thermostats

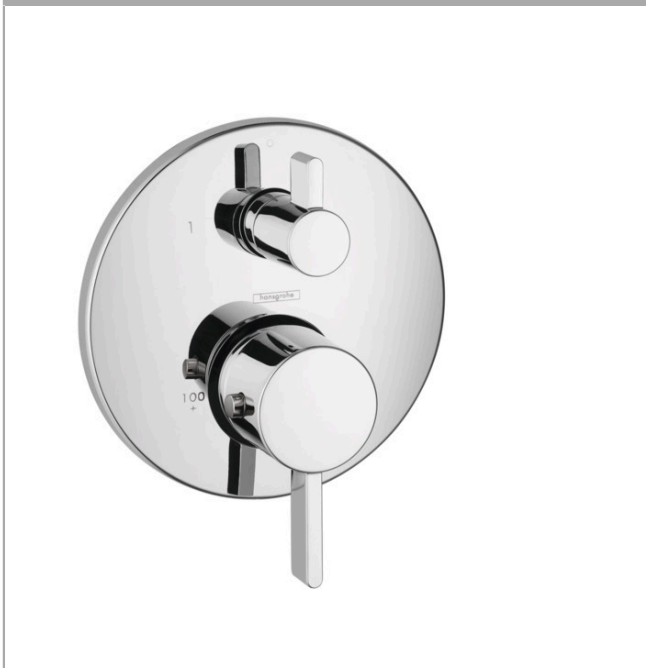
Item details

List Price \$ 745.00

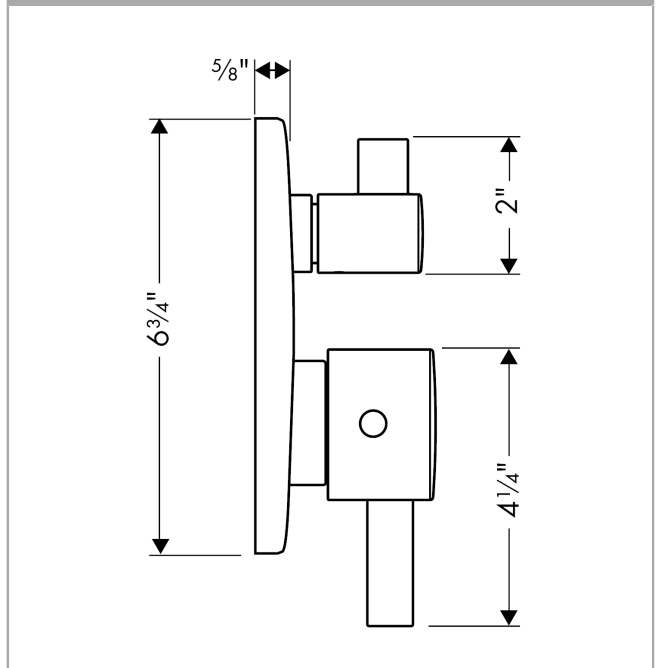
Compliance / Sustainability



Product image



Scale drawing

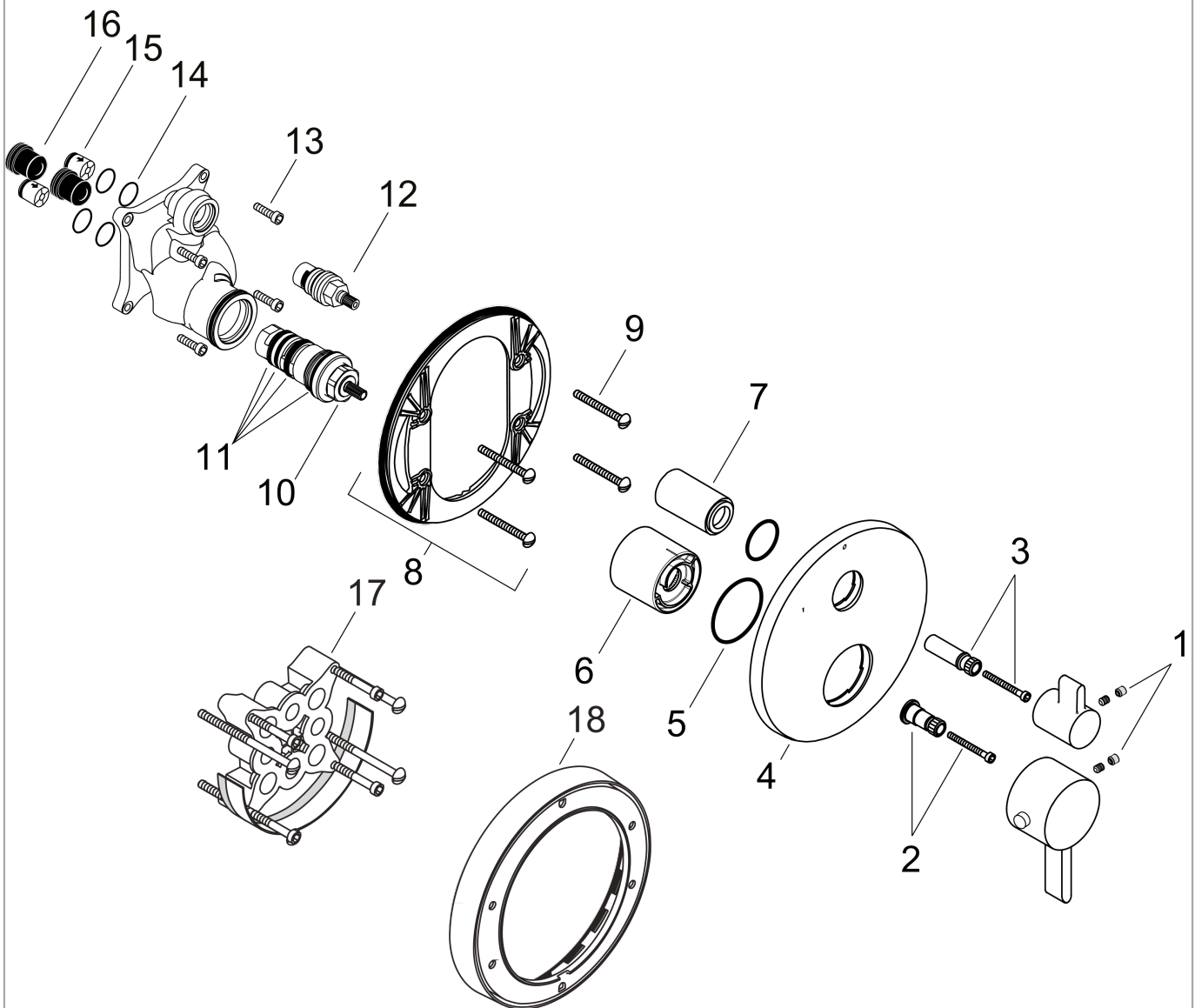


Ecostat
Thermostatic Trim S with Volume Control
 Finish: **chrome** Part no. : **04230000**



Exploded drawing

Year of production: >12/09



Ecostat
Thermostatic Trim S with Volume Control
 Finish: **chrome** Part no. : **04230000**



Spare parts list

Year of production: >12/09

| Pos. | Description | Part no. | Price | PU |
|------|--------------------------------|----------|-------|----|
| 1 | screw cover | 95181000 | - | 1 |
| 2 | adapter for handle | 96435000 | - | 1 |
| 3 | adapter for handle | 96451000 | - | 1 |
| 4 | escutcheon Ø 170 mm | 96551001 | - | 1 |
| 5 | O-Ring 48x3 | 95508000 | - | 1 |
| 6 | sleeve | 95550000 | - | 1 |
| 7 | sleeve | 96446000 | - | 1 |
| 8 | sub plate | 96447000 | - | 1 |
| 9 | set of fixing screws | 96454000 | - | 1 |
| 10 | thermostat cartridge | 94282000 | - | 1 |
| 11 | sealing set | 95037000 | - | 1 |
| 12 | shut off unit right closing | 94009000 | - | 1 |
| 13 | set of screws | 96525000 | - | 1 |
| 14 | O-ring 16x2 | 98133000 | - | 1 |
| 15 | set of non return valves DW 15 | 94074000 | - | 1 |
| 16 | noise reduction | 94073000 | - | 1 |
| 17 | extension 25 mm | 13595000 | - | 1 |
| 18 | extension 22 mm (Ø 170 mm) | 13596000 | - | 1 |
| a | O-ring 29x3 | 98371000 | - | 1 |
| b | hexagon socket screw M4x35 | 92160000 | - | 1 |