

AXOR Universal Circular Shaving mirror

Surfaces: **Chrome** Article Number: **42849000**



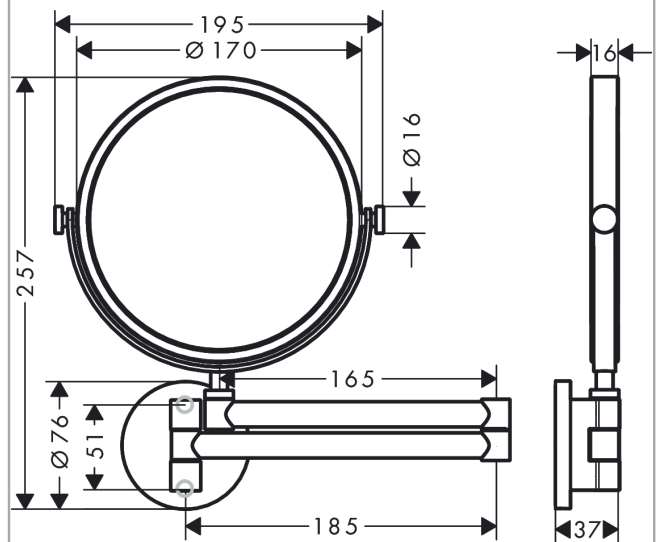
product features

- wall-mounted
- material: mirror glass
- material frame: metal
- mirror is inclinable
- swivelling
- enlargement: 1.7-times
- with mounting material
- concealed fastening
- drilling distance: 51 mm
- diameter drill hole: 6 mm

Product image



Scale drawing



AXOR Universal Circular

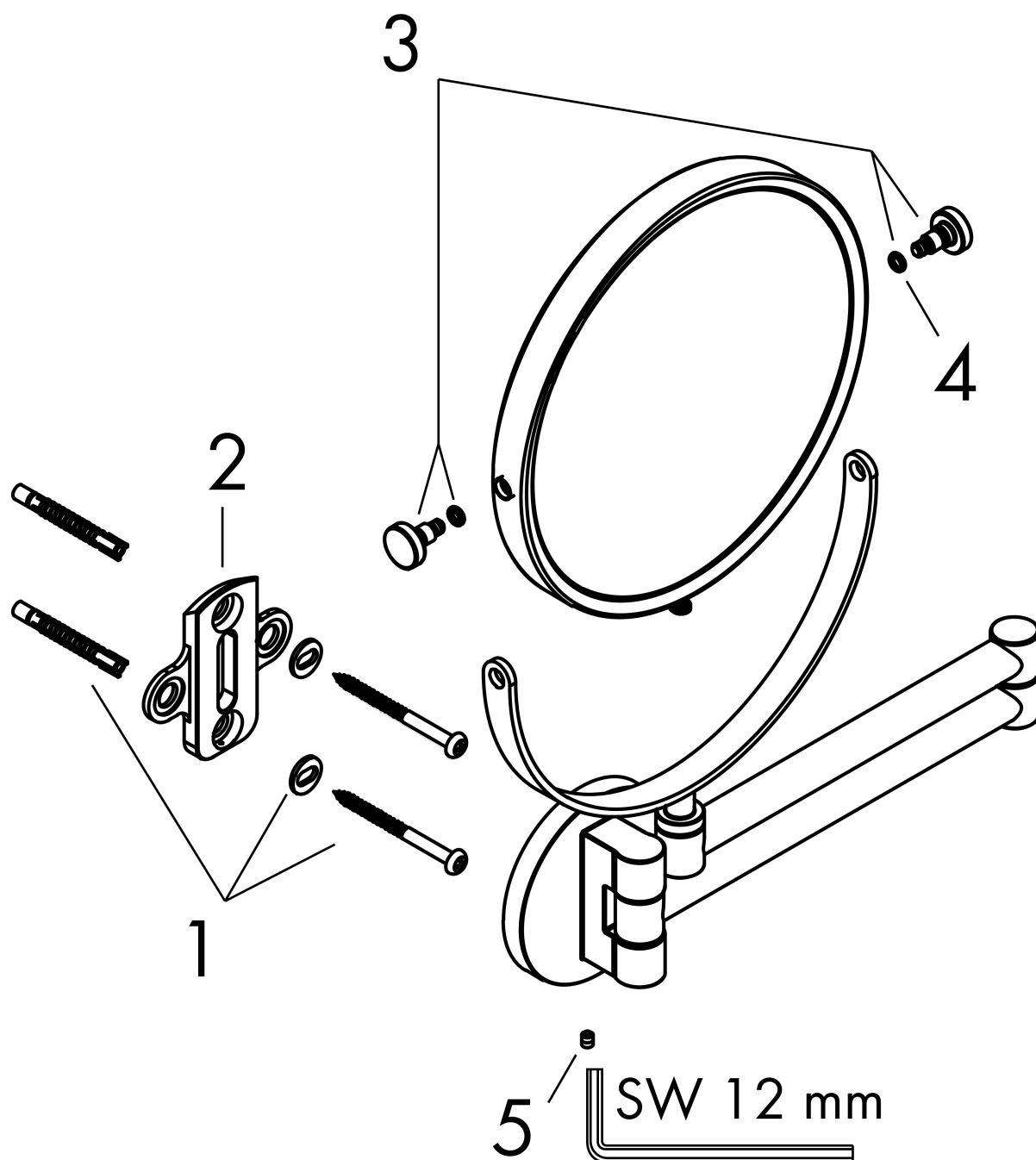
Shaving mirror

Surfaces: **Chrome** Article Number: **42849000**



Exploded Drawing

Year of production: >10/21



AXOR Universal Circular

Shaving mirror

Surfaces: **Chrome** Article Number: **42849000**



Spare part list

Year of production: >10/21

Pos.		Article Number	Price	PU
1	mounting set	96179000	-	1
2	support element	94430000	-	1
3	mirror	98729000	-	1
4	O-ring 4x1,5	93463000	-	1
5	hollow set screw M4x5	98731000	-	1