

AXOR Citterio

Single lever bidet mixer with lever handle and pop-up waste set - rhombic cut

Surfaces: **Chrome** Article Number: **39201000**



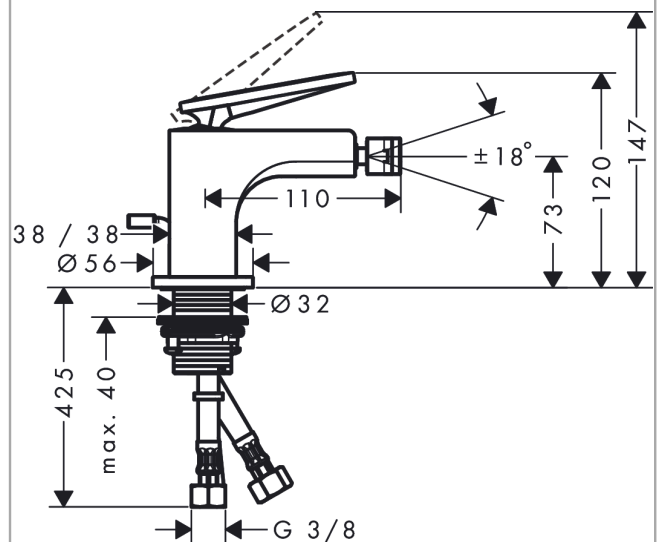
product features

- consists of: single lever bidet mixer, waste set
- projection 112 mm
- aerator with ball pivot
- spray type: laminar spray
- maximum flow rate at 3 bar: 7,5 l/min
- ceramic cartridge
- suitable for continuous flow water heaters
- pop-up waste set G 1¼
- connection type: G ¾ connections
- connection dimension: DN15

Product image



Scale drawing



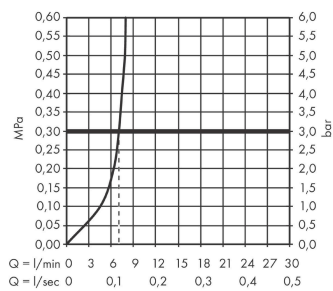
AXOR Citterio

Single lever bidet mixer with lever handle and pop-up waste set - rhombic cut

Surfaces: **Chrome** Article Number: **39201000**



Flowchart

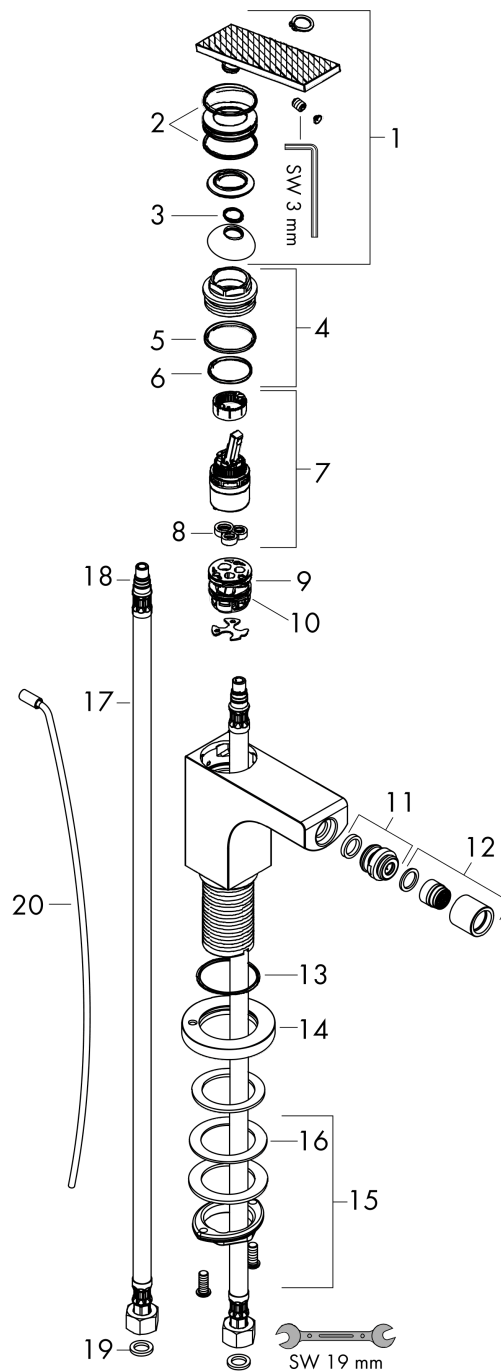


AXOR Citterio
Single lever bidet mixer with lever handle and pop-up waste set - rhombic cut
 Surfaces: **Chrome** Article Number: **39201000**



Exploded Drawing

Year of production: >06/21



AXOR Citterio

Single lever bidet mixer with lever handle and pop-up waste set - rhombic cut

Surfaces: **Chrome** Article Number: **39201000**



Spare part list

Year of production: >06/21

Pos.		Article Number	Price	PU
1	handle	94383000	-	1
2	O-ring 30x1,5	98433000	-	1
3	O-ring 11x1	92924000	-	1
4	nut	94092000	-	1
5	O-ring 29x2	98391000	-	1
6	O-ring 25x1,5	98146000	-	1
7	cartridge, assy	92900000	-	1
8	seal	93383000	-	1
9	adapter for cartridge	98866000	-	1
10	O-ring 23x2	98398000	-	1
11	ball joint	97362000	-	1
12	aerator laminar M16x1 (7 l/min)	97360000	-	1
13	O-ring 33x1,5	98164000	-	1
14	escutcheon	95668000	-	1
15	fixing set (Ø 32)	13961000	-	1
16	lever collar	97548000	-	1
17	connection hose 450 mm M8x0,75 G3/8	97206000	-	1
18	O-ring 7x1,5	98422000	-	1
19	sealing set	95581000	-	1
20	pull rod	96923000	-	1
a	pop up waste	94139007	-	1
b	fixation extension 35 mm	13898000	-	1