

# SPECIFICATIONS

## DESCRIPTION

- Combines both thermostatic and pressure balance technologies
- “Set it and forget it” temperature control
- Temperature and volume control with diverter
- 3 dedicated functions (CEC Compliant)
- Rough-in valve sold separately:
  - Order R45 therm & pressure balance rough-in valve
  - 3/4" R45 extension kit available, order EXT45KIT34
  - 1-1/4" R45 extension kit available, order EXT45KIT114

## CARTRIDGE

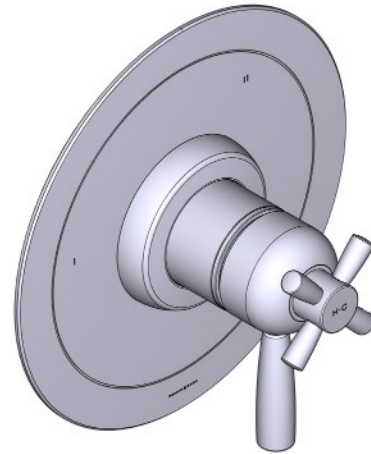
- 0-945 (Included)

## STANDARDS

- ASME A112.18.1

## WARRANTY

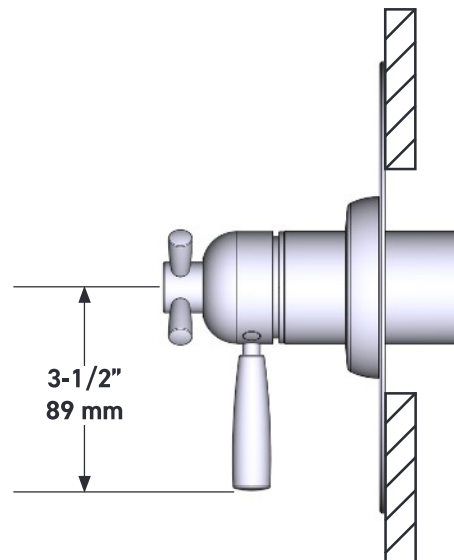
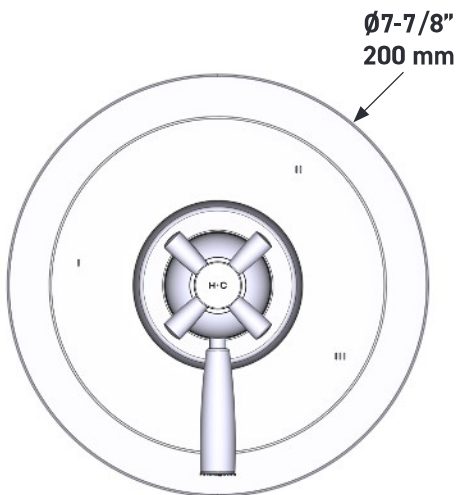
- Most products or parts carry “Limited Warranties” against manufacturing defects. For US customers please visit [houseofrohl.com/support](http://houseofrohl.com/support) and for Canadian customers please visit [houseofrohl.ca/support](http://houseofrohl.ca/support) for complete product and finish warranty.



## Holborn™ 1/2" Therm & Pressure Balance Trim with 3 Functions (No Share)

**CORE MODEL:** U.THB47W1

UPC®



For warranty or additional information, contact:

US Customers

U.S.A.  
[houseofrohl.com/support](http://houseofrohl.com/support)  
1-800-777-9762

QUEBEC / MARITIMES / WESTERN CANADA  
QUÉBEC / MARITIMES / OUEST CANADIEN  
QUEBEC / MARITIMOS / CANADA OCCIDENTAL  
[houseofrohl.ca/support](http://houseofrohl.ca/support)  
1-866-473-8442

Canadian Customers

ONTARIO  
[houseofrohl.ca/support](http://houseofrohl.ca/support)  
1-800-287-5354