

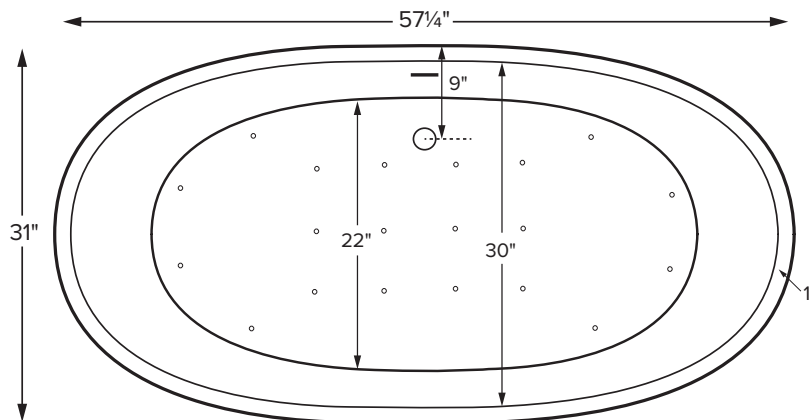


Designer Collection Tubs
Model # 250

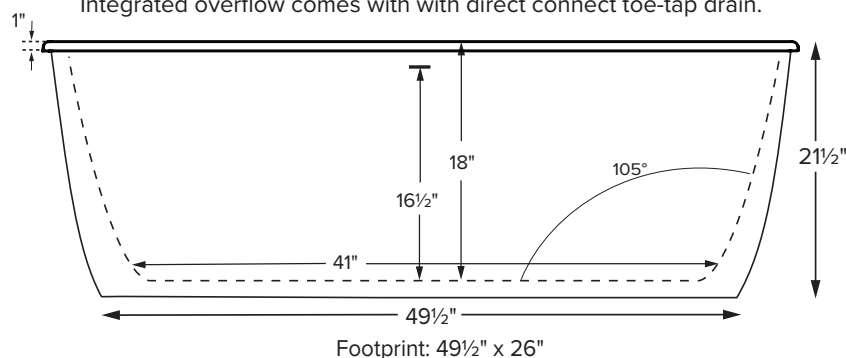
Adel
57.25" x 31" x 21.50"

GENERAL SPECIFICATIONS:

- Material** - Acrylic
 - Installation** - Freestanding
 - Soaker Weight** - 120 lbs / 59 kg
 - Maximum Fill** - 72 gal to overflow
- NOTE: Filling this tub to the maximum may require an above average size or dedicated water heater.



The Adel features a 1" tub ledge with integrated overflow for minimalist design
Integrated overflow comes with with direct connect toe-tap drain.



ELECTRICAL COMPONENTS & SPECIFICATIONS		
Required Electrical Service - 110 Volt		
Hydrotherapy Package	Components Included	GFCI
Air Massage	heated blower	1-15 amp
Air Massage Elite	heated blower, chromatherapy	1-15 amp

For electrical requirements of tub options, see specific options specs
CSA Certified C/US; ANSI Z124.1 for plastic tubs and ANSI 112.19.7 for hydromassage bathtub systems.

See the "Designer Collection Tubs Installation & Operation Manual" included with tub delivery or go to: mtibaths.com/support/installation for all the information necessary to install and operate the tub.

MTI's Customer Service Department is available Monday-Friday 8am-6pm EST at 800-783-8827 or service@mtibaths.com to answer any questions pertaining to ordering or installation.

CSA # MTDS-250
Effective 06.20

IMPORTANT ORDERING & INSTALLATION INFORMATION:

- This tub comes standard without an access panel. Toe tap drain aligns directly with drain pipe rough-in. Heights may vary between tub models with integrated overflow. Always measure distance from the finished floor to the underside of the drain before trimming drain pipe in floor.
- Air baths require job site preparations for remote mounting the blower and required check valve. Check valve must be installed higher than the rim of the tub. The keypad is shipped loose and may be mounted on a nearby wall or decking.
- Before ordering or installing, please consider future access to equipment. See [owner's manual](#) for rough-in dimensions.
- Radiance placed on floor locations will affect placement of air jets.
- Specifications and configurations are subject to change without notice.
- Measurements are $\pm 1/2"$ and are subject to change without notice.
- Measurements herein supersede all others published prior to publication date shown below.

