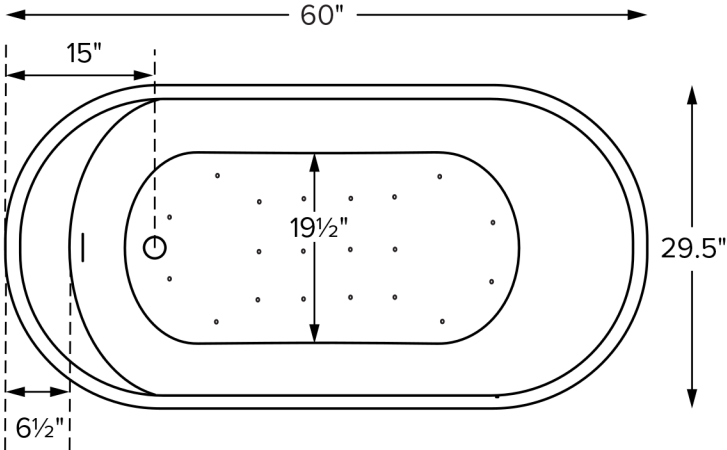


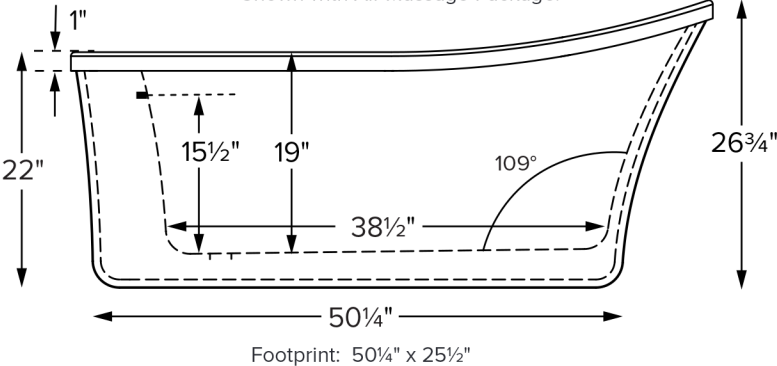
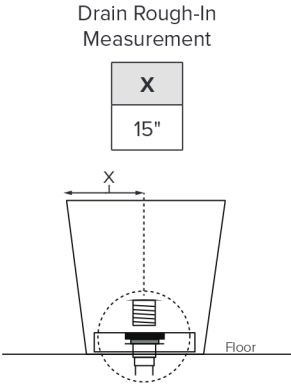
Eryn



| | |
|--|--------------------------|
| MODEL 267 | |
| 60" x 29.5" x 22" | |
| FREESTANDING 53 gal to overflow | |
| Acrylic CXL™ | DoloMatte™ |
| 100 lbs / 45 kg | <SOAKER> 113 lbs / 51 kg |
| Filling this tub to the maximum may require an above average size or dedicated water heater. | |



The Eryn features a flat deck on the drain side for mounting faucetry.
Shown with Air Massage Package.



ELECTRICAL COMPONENTS & SPECIFICATIONS

| Hydrotherapy Package | Components Included | 110V GFCI |
|----------------------|------------------------------|-----------|
| Air Massage | heated blower | 1-15 amp |
| Air Massage Elite | heated blower, chromatherapy | 1-15 amp |

Electrical requirements may change with the addition of optional therapy components.
See specific option details or installation information.
CSA Certified C/US; ANSI Z124.1 and ANSI 112.19.7

IMPORTANT ORDERING & INSTALLATION INFORMATION:

- Before ordering or installing, please consider future access to equipment.
- No access panel. Tub features slotted integrated overflow with toe tap drain.
- Space between tub walls and underneath for installation of valves and toe tap drain.
- Hydrotherapy equipment may ship loose for remote installation depending on tub model. See bullets at the top of the next page for details.
- Radiance placed on floor locations will affect placement of air jets.
- All tubs are in accordance with CSA B45.5/IAPMO Z124 standard and compliant with ASTM C 1028-07 coefficient of friction. Dolomatte meets ANSI A1371/A326.3 coefficient of friction and AS HB198:2014 pendulum slip resistance testing.

• Before discarding tub packaging, check for accessories that may be packaged inside.
• All product measurements are ±1/2".
• Specifications and configurations are subject to change without notice.
• Measurements herein supersede all others published prior to publication date below.

