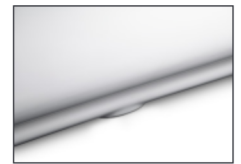
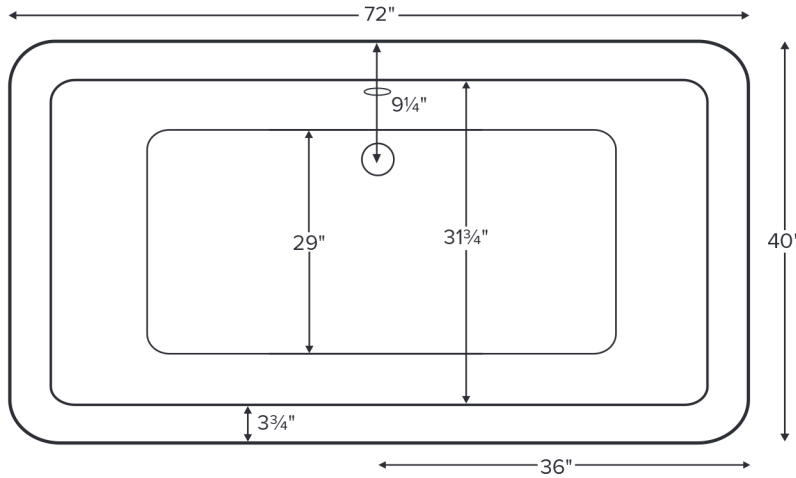


# Designer Collection Tubs



## Parisian® 2 with Bun Feet

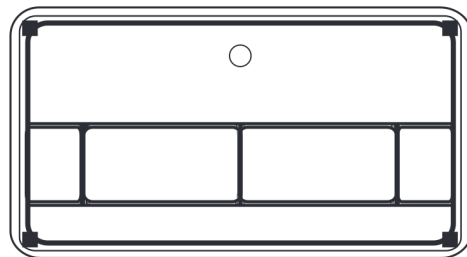
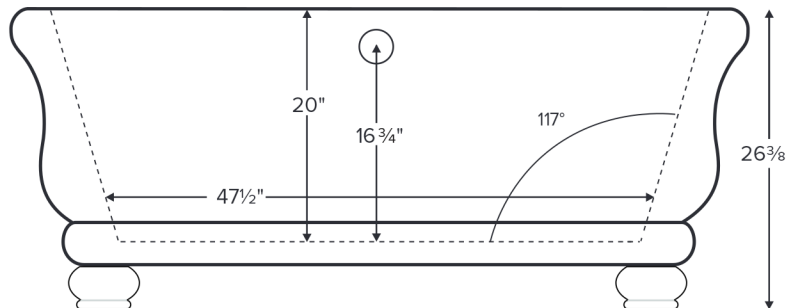
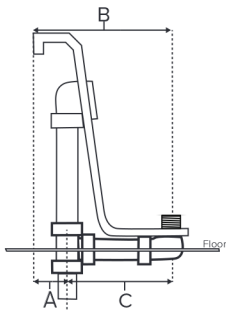
MODEL 178C	
72" x 40" x 26.375"	
FREESTANDING 87 gal to overflow	
<b>Acrylic CXL™</b>	<b>DoloMatte™</b>
250 lbs / 113 kg	<SOAKER> 281 lbs / 127 kg
Filling this tub to the maximum may require an above average size or dedicated water heater.	



Back of tub designed to accommodate rear drain.

### Drain Rough-In Measurements

A	B	C
4 1/2"	9 1/4"	4 3/4"



Bottom view with frame for bun feet

### ELECTRICAL COMPONENTS & SPECIFICATIONS

Available as Soaker only

CSA Certified C/US; ANSI Z124.1

See the Installation & Operation Manual for more details.  
MTI's Customer Service: Monday-Friday 8am-6pm EST  
**800-783-8827** or [service@mtibaths.com](mailto:service@mtibaths.com)

- Before discarding tub packaging, check for accessories that may be packaged inside.
- All product measurements are ±1/2".
- Specifications and configurations are subject to change without notice.
- Measurements herein supersede all others published prior to publication date below.

### IMPORTANT ORDERING & INSTALLATION INFORMATION:

- Comes as a Soaker only.
- No access panel. Tub features factory-installed overflow with toe tap drain.
- Faucet valves cannot be installed on this tub model.
- All tubs are in accordance with CSA B45.5/IAPMO Z124 standard and compliant with ASTM C 1028-07 coefficient of friction. Dolomatte meets ANSI A137.1/A326.3 coefficient of friction and AS HB198:2014 pendulum slip resistance testing.

