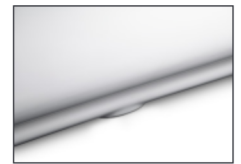
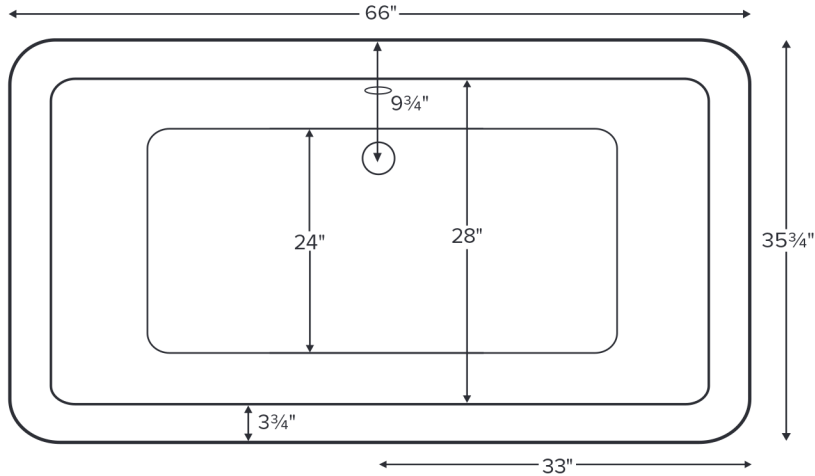


Designer Collection Tubs



Parisian® 1 with Bun Feet

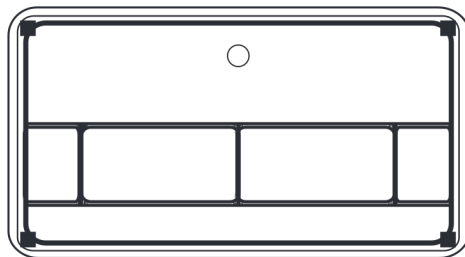
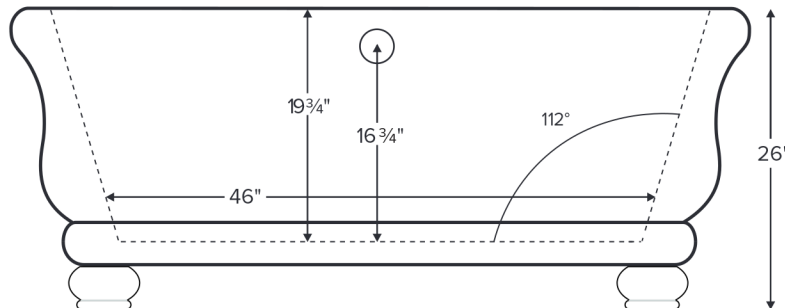
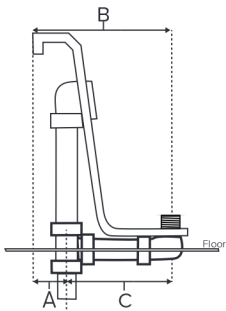
| | |
|--|---------------------------|
| MODEL 146C | |
| 66" x 35.75" x 26" | |
| FREESTANDING 87 gal to overflow | |
| Acrylic CXL™ | DoloMatte™ |
| 240 lbs / 109 kg | <SOAKER> 270 lbs / 122 kg |
| Filling this tub to the maximum may require an above average size or dedicated water heater. | |



Back of tub designed to accommodate rear drain.

Drain Rough-In Measurements

| A | B | C |
|--------|--------|----|
| 4 3/4" | 9 3/4" | 5" |



Bottom view with frame for bun feet

ELECTRICAL COMPONENTS & SPECIFICATIONS

Available as Soaker only

CSA Certified C/US; ANSI Z124.1

See the Installation & Operation Manual for more details.
MTI's Customer Service: Monday-Friday 8am-6pm EST
800-783-8827 or service@mtibaths.com

- Before discarding tub packaging, check for accessories that may be packaged inside.
- All product measurements are ±1/2".
- Specifications and configurations are subject to change without notice.
- Measurements herein supersede all others published prior to publication date below.

IMPORTANT ORDERING & INSTALLATION INFORMATION:

- Comes as a Soaker only.
- No access panel. Tub features factory-installed overflow with toe tap drain.
- Faucet valves cannot be installed on this tub model.
- All tubs are in accordance with CSA B45.5/APMO Z124 standard and compliant with ASTM C 1028-07 coefficient of friction. Dolomatte meets ANSI A137.1/A326.3 coefficient of friction and AS HB198:2014 pendulum slip resistance testing.

