

STOURTON 3 RAIL

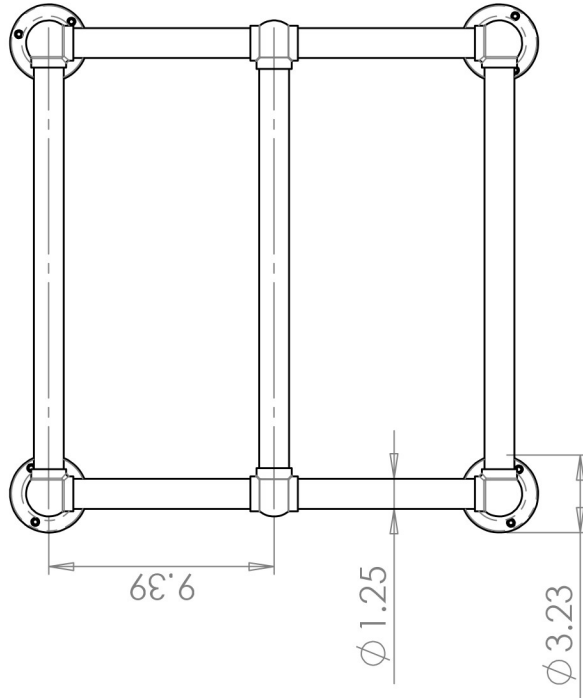
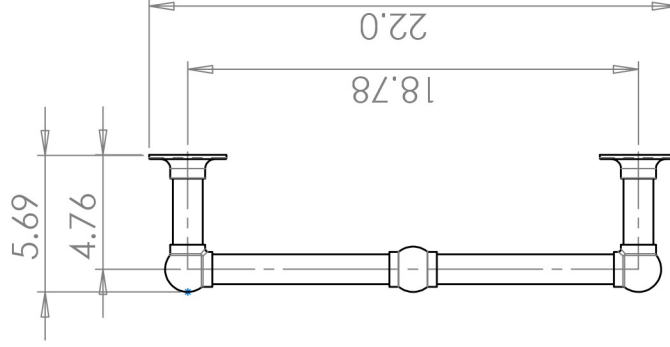
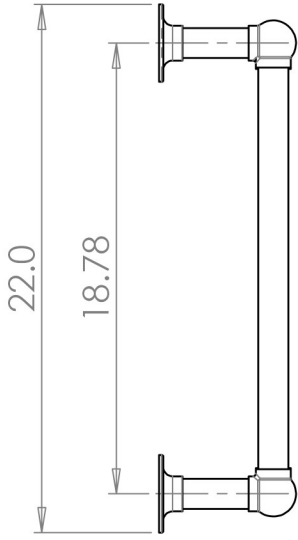
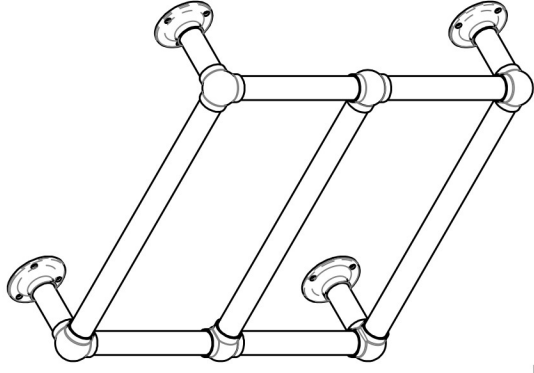
22.0 x 22.0 x 5.69

31 March 2021

STOU-3-E-559-559-XX

UB - UNLACQUERED BRASS
 BB - BRUSHED BRASS
 BN - BRUSHED NICKEL
 LAB - LIGHT ANTIQUE BRONZE
 MAB - MEDIUM ANTIQUE BRONZE
 DAB - DARK ANTIQUE BRONZE
 AG - ANTIQUE GOLD
 MWP - MATT WHITE P.COAT

CP - POLISHED CHROME
 NP - POLISHED NICKEL
 LB - LIGHT BRONZE
 MB - MEDIUM BRONZE
 DB - DARK BRONZE
 GP - GOLD PLATED
 GM - GUN METAL
 MBP - MATT BLACK P.COAT



THE STERLINGHAM CO.

SCALE: 1:8 APPROX WEIGHT 4.82KG

MANUFACTURED FROM BRASS

Units 2 & 2A Stamford Street
 Amblecote, Stourbridge,
 Worcestershire
 England, DY8 4HR

Telephone : 01384 370901
 Fax : 01384 880159
 ussales@sterlingham.co.uk
 www.sterlingham.co.uk

For Electric Towel Warmers:

Default cable exit is bottom right, 3m cable length - this can be modified, please state your requirements upon placing your order.

