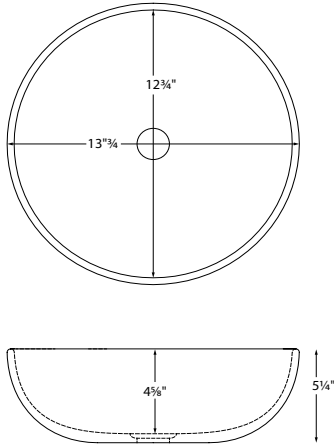




Luna 1 shown with a Rolled Rim.

Luna 1
Model # MTCS-720
 13.75" x 5.25"

Material SculptureStone®
Installation vessel style
Shipping Weight 15 lbs.



Vessel style sink installs on top of the vanity.

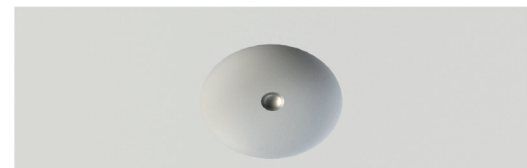
Cut-out for drain installation required.

Sink Options and Pricing	
Part #: MTCS720F (Flat Rim) \$750	MTCS720R (Rolled Rim) \$750
Packaging / Handling Fee Applies	
Standard Color White, matte finish	
Biscuit Color Upgrade (SSBISNK) \$115 matte finish	
Additional material colors available for projects only. Please call MTI.	
Hand-Polished Deep Gloss Finish Upcharge (SSGLOSSNK2) \$515	
For White or Biscuit	
Exterior Color \$315 for Flat Rim only (SSCOLSG) Gloss (SSCOLSM) Matte	
Must specify color code:	
Saphire Blue (SB), Blue Lagoon (BL), Terracotta (TC), Onyx (OX), Nightfall (NF), Stratus Gray (TG), Stormgray (SG), Moonstone (MS)	
Quick Ship (QSPRI3) \$235 reduces lead time	
Please call for availability.	
Options and Accessories	
Drain Kits	
Finger Touch Drain Without Overflow	
Chrome (DKFGCN) \$160 , Brushed Nickel (DKFGBNN) \$175	
Grid Drain Without Overflow	
Chrome (DKGDCN) \$105 , Brushed Nickel (DKGDBNN) \$165	
Fixed Drain Without Overflow	
Chrome (DKFDC) \$280	



CONSTRUCTION AND STANDARD FEATURES

- 1.5" drain opening. Comes without an overflow. Check local codes.
- One-piece construction using Engineered SculptureStone® (ESS) material.
- This material is non-porous, stain-, mold- and mildew-resistant.
- Approximately 70% of the material is organic, including minerals mined from the earth, making it "Green".
- Five-Year Limited Residential Warranty.



Also available, Luna Counter-Sink 1, featuring custom-size countertop with integrated bowl. Offered in a single or double bowl configuration.

• Before discarding packaging, check for accessories that may be inside.
 • All product measurements are ±1/2".
 • Specifications and configurations are subject to change without notice.
 • Measurements herein supersede all others published prior to publication date below.

