

## AXOR Citterio

Single lever basin mixer for concealed installation wall-mounted with lever handle, spout 220 mm and escutcheons - rhombic cut

Surfaces: **Chrome** Article Number: **39181000**



### product features

- consists of: single lever basin mixer for concealed installation wall-mounted, waste set
- projection: 220 mm
- spray type: normal spray
- maximum flow rate at 3 bar: 5 l/min
- ceramic cartridge
- suitable for continuous flow water heaters
- non-closing waste set
- connection type: basic set
- connection dimension: DN15
- handle can be positioned on the right or left, depends on the basic set installation

### Technology



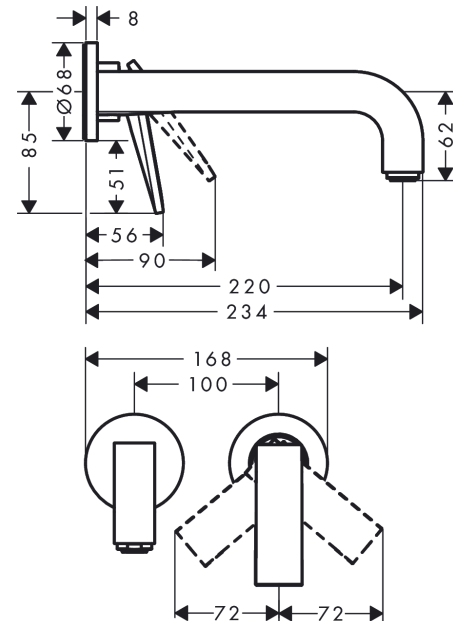
### Design awards



### Product image



### Scale drawing



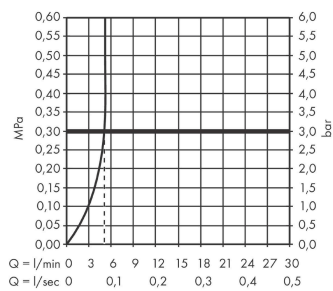
## AXOR Citterio

Single lever basin mixer for concealed installation wall-mounted with lever handle, spout 220 mm and escutcheons - rhombic cut



Surfaces: **Chrome** Article Number: **39181000**

### Flowchart



## AXOR Citterio

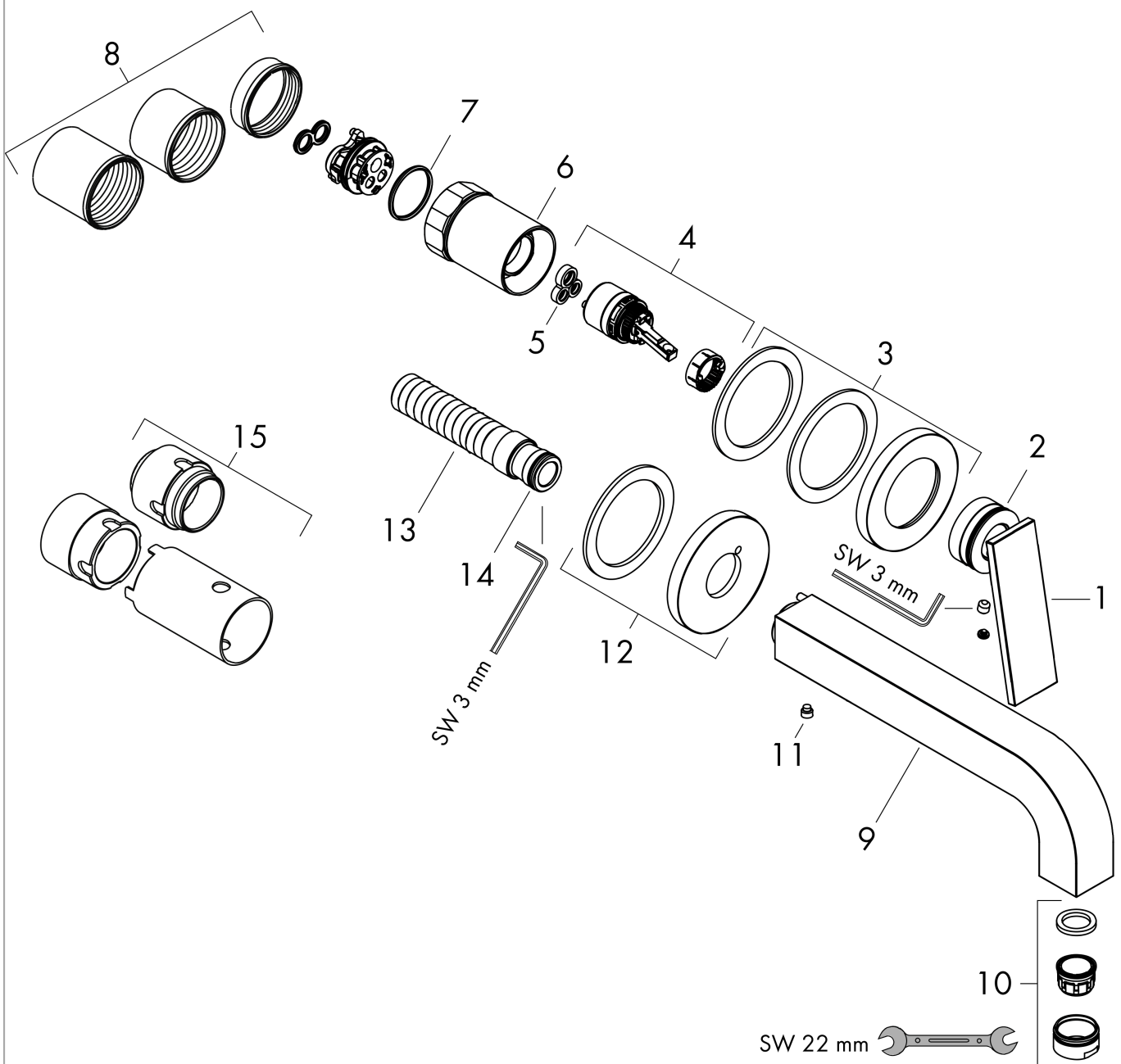
Single lever basin mixer for concealed installation wall-mounted with lever handle, spout 220 mm and escutcheons - rhombic cut

Surfaces: **Chrome** Article Number: **39181000**



### Exploded Drawing

Year of production: >06/21



## AXOR Citterio

Single lever basin mixer for concealed installation wall-mounted with lever handle, spout 220 mm and escutcheons - rhombic cut

Surfaces: **Chrome** Article Number: **39181000**



### Spare part list

Year of production: >06/21

Pos.		Article Number	Price	PU
1	handle	94321000	-	1
2	O-ring 33x1,5	98164000	-	1
3	escutcheon for handle	96909000	-	1
4	cartridge, assy	92900000	-	1
5	seal	93383000	-	1
6	sleeve	93373000	-	1
7	O-ring 26x2	98147000	-	1
8	fixing set	97971000	-	1
9	spout 220 mm	97239000	-	1
10	aerator M24x1 (5 l/min)	13185000	-	1
11	hollow set screw M6x6	97660000	-	1
12	escutcheon	98720000	-	1
13	connecting thread G½	97228000	-	1
14	O-ring 16x2,5	98134000	-	1
15	extension 25 mm	13586000	-	1
a	pop up waste	51301000	-	1