

AXOR ShowerSolutions

Overhead shower 250 2jet ceiling

Surfaces: **Chrome** Article Number: **35298000**



product features

- shower head size: 250 mm
- spray type: PowderRain, Intense PowderRain
- Select button on thermostat
- dynamic spray nozzles move out while using
- material spray disc: metal
- maximum flow rate at 3 bar: 21 l/min
- flow rate PowderRain spray (at 3 bar): 21 l/min
- flow rate Intense PowderRain (at 3 bar): 15 l/min
- minimum flow pressure: 1,5 bar
- overhead shower removable for cleaning
- ServiceCard with sieve can be removed without tools for cleaning purpose
- installation: flush with the ceiling
- connection dimension: DN15

Technology



Design awards

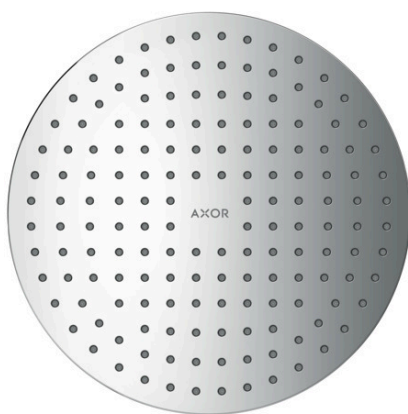


reddot winner 2020

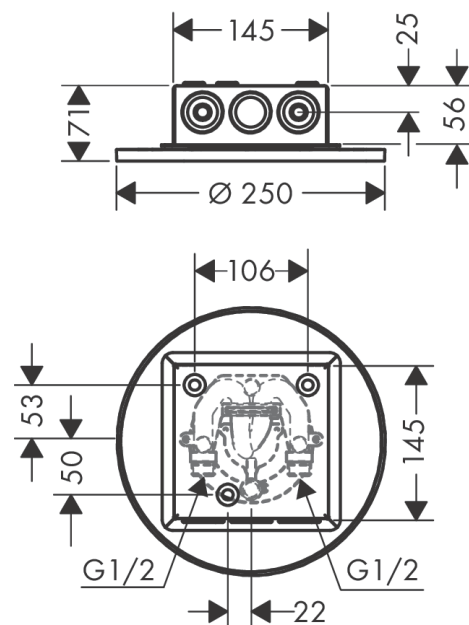


reddot winner 2021

Product image



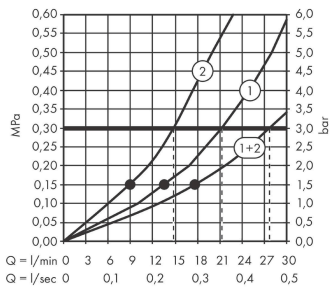
Scale drawing



AXOR ShowerSolutions
Overhead shower 250 2jet ceiling
 Surfaces: **Chrome** Article Number: **35298000**



Flowchart



The consumption was measured in combination with the appropriate fittings (thermostat/mixer/in-wall valve) to reflect actual application in practice.

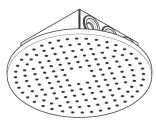
AXOR ShowerSolutions

Overhead shower 250 2jet ceiling

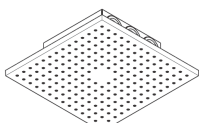
Surfaces: **Chrome** Article Number: **35298000**



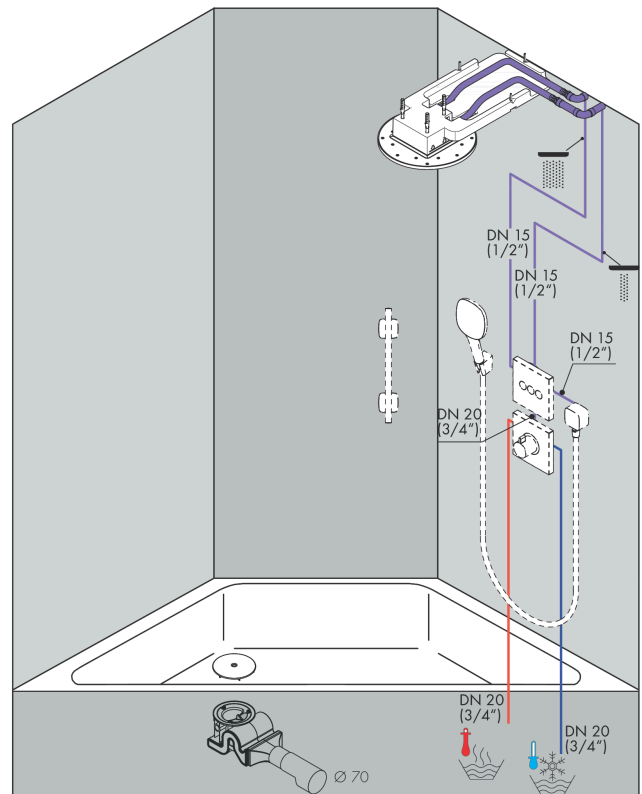
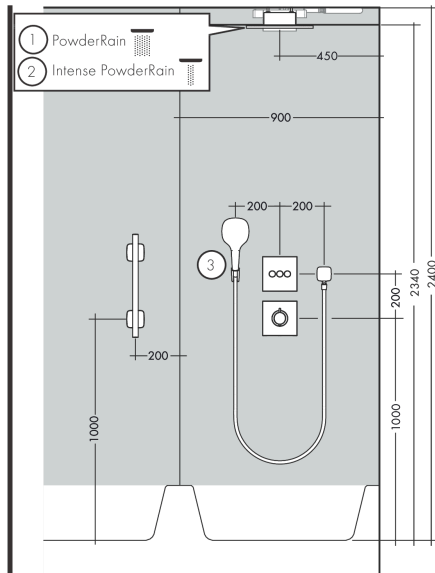
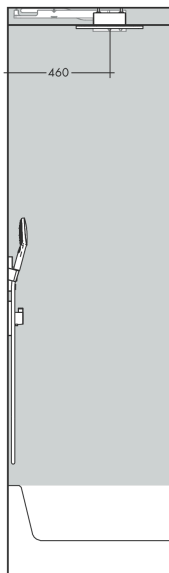
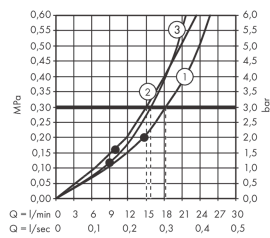
Installation examples



AXOR 250 2jet
35298000



AXOR 250/250 2jet
35313000



AXOR ShowerSolutions
Overhead shower 250 2jet ceiling
 Surfaces: **Chrome** Article Number: **35298000**



Spare part list

Year of production: >02/19

Pos.		Article Number	Price	PU
1	service unit	93423000	-	1
2	filter	93402000	-	1
3	O-ring 11x2	98127000	-	1
4	O-Ring 28x2	98194000	-	1
5	head shower	93458000	-	1