

AXOR Citterio

Single lever basin mixer for concealed installation wall-mounted with lever handle, spout 220 mm and plate - rhombic cut

Surfaces: **Chrome** Article Number: **39171000**



product features

- consists of: single lever basin mixer for concealed installation wall-mounted, waste set
- projection: 220 mm
- spray type: normal spray
- maximum flow rate at 3 bar: 5 l/min
- ceramic cartridge
- suitable for continuous flow water heaters
- non-closing waste set
- connection type: basic set
- connection dimension: DN15
- handle can be positioned on the right or left, depends on the basic set installation

Technology



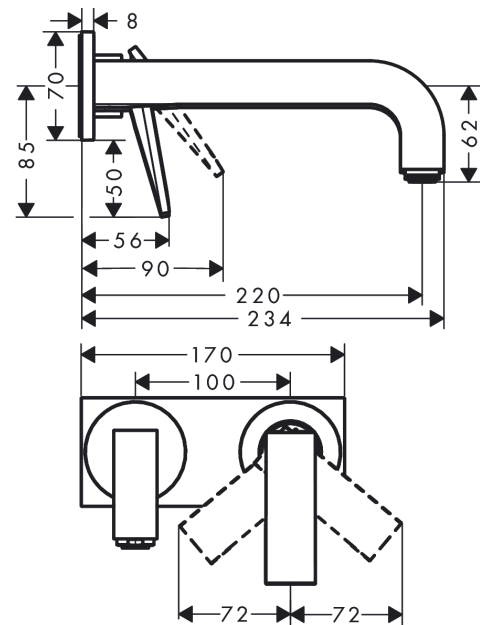
Design awards



Product image



Scale drawing



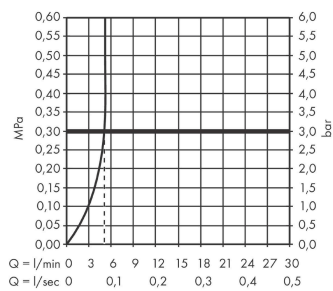
AXOR Citterio

Single lever basin mixer for concealed installation wall-mounted with lever handle, spout 220 mm and plate - rhombic cut



Surfaces: **Chrome** Article Number: **39171000**

Flowchart

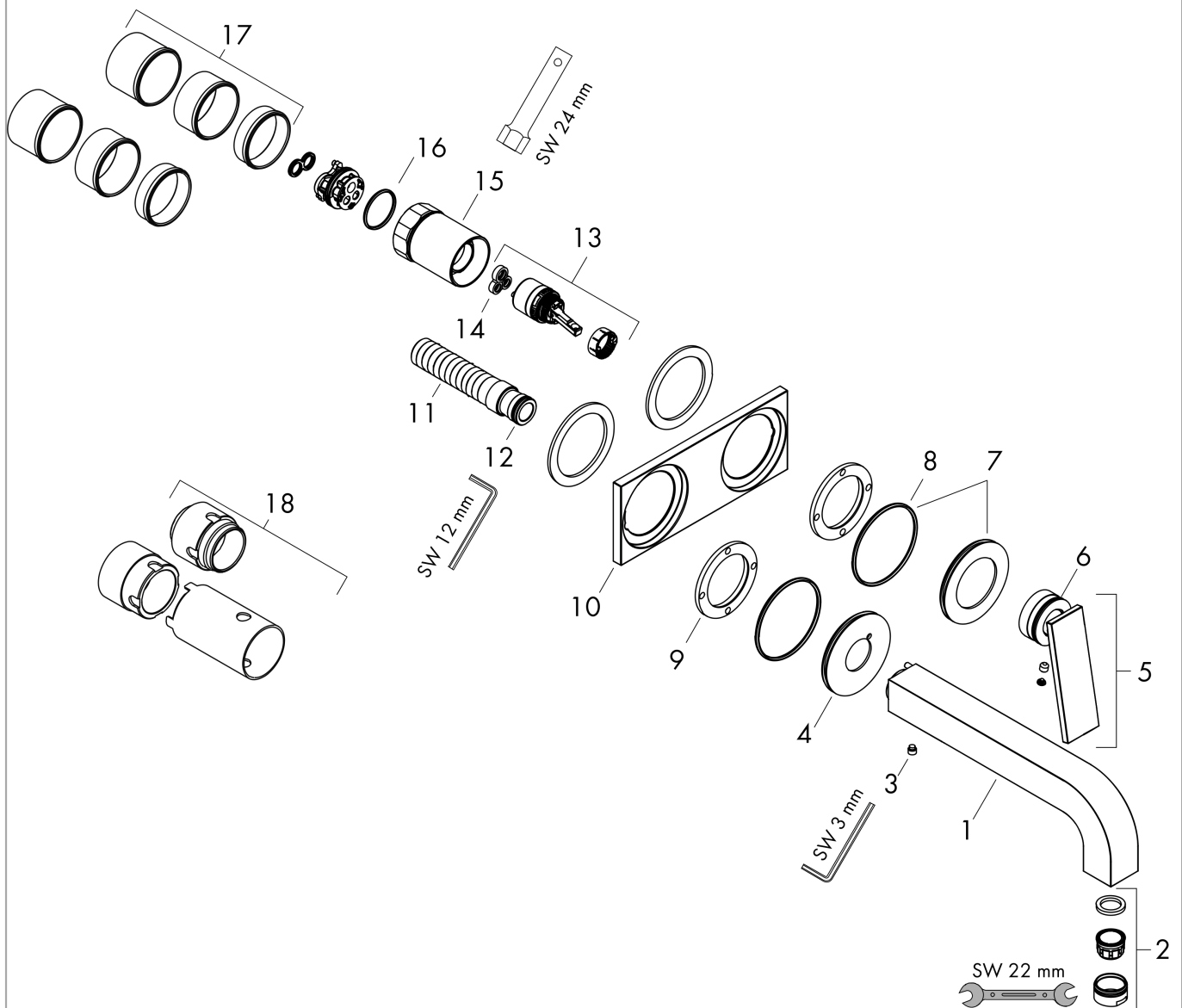


AXOR Citterio
Single lever basin mixer for concealed installation wall-mounted with lever handle, spout 220 mm and plate - rhombic cut
 Surfaces: **Chrome** Article Number: **39171000**



Exploded Drawing

Year of production: >04/21



AXOR Citterio

Single lever basin mixer for concealed installation wall-mounted with lever handle, spout 220 mm and plate - rhombic cut

Surfaces: **Chrome** Article Number: **39171000**



Spare part list

Year of production: >04/21

Pos.		Article Number	Price	PU
1	spout 220 mm	97239000	-	1
2	aerator M24x1 (5 l/min)	13185000	-	1
3	hollow set screw M6x6	97660000	-	1
4	escutcheon for spout	97695000	-	1
5	handle	94321000	-	1
6	O-ring 33x1,5	98164000	-	1
7	escutcheon for handle	96912000	-	1
8	O-ring 57x2,5	98394000	-	1
9	nut	97601000	-	1
10	escutcheon	96914000	-	1
11	connecting thread G½	97228000	-	1
12	O-ring 16x2,5	98134000	-	1
13	cartridge, assy	92900000	-	1
14	seal	93383000	-	1
15	sleeve	93373000	-	1
16	O-ring 26x2	98147000	-	1
17	fixing set	97971000	-	1
18	extension 25 mm	13586000	-	1
a	pop up waste	51301000	-	1