

AXOR ShowerSolutions
Overhead shower 250/250 2jet with ceiling connection
 Surfaces: **Chrome** Article Number: **35312000**



product features

- consists of: overhead shower, ceiling connector
- shower head size: 250 x 250 mm
- spray type: PowderRain, Intense PowderRain
- Select button on thermostat
- dynamic spray nozzles move out while using
- material spray disc: metal
- brass ceiling connector
- ceiling connection length: 100 mm
- maximum flow rate at 3 bar: 18 l/min
- flow rate PowderRain spray (at 3 bar): 18 l/min
- flow rate Intense PowderRain (at 3 bar): 16 l/min
- minimum flow pressure: 2 bar
- overhead shower removable for cleaning
- ServiceCard with sieve can be removed without tools for cleaning purpose
- installation: ceiling
- connection dimension: DN15

Technology



Design awards



reddot winner 2020

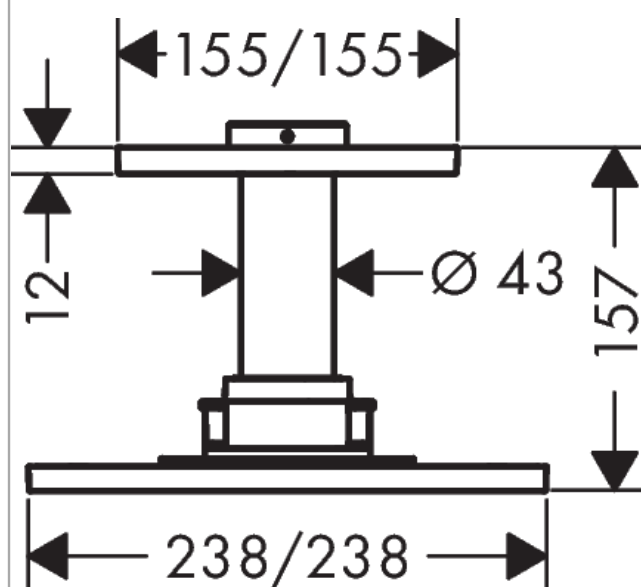


reddot winner 2021

Product image



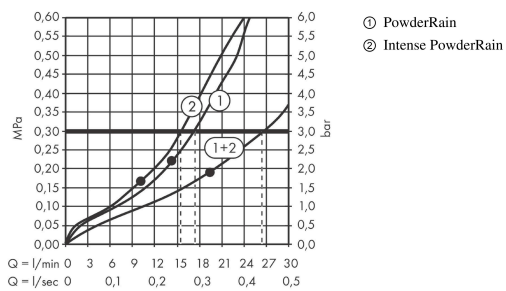
Scale drawing



AXOR ShowerSolutions
Overhead shower 250/250 2jet with ceiling connection
 Surfaces: **Chrome** Article Number: **35312000**



Flowchart



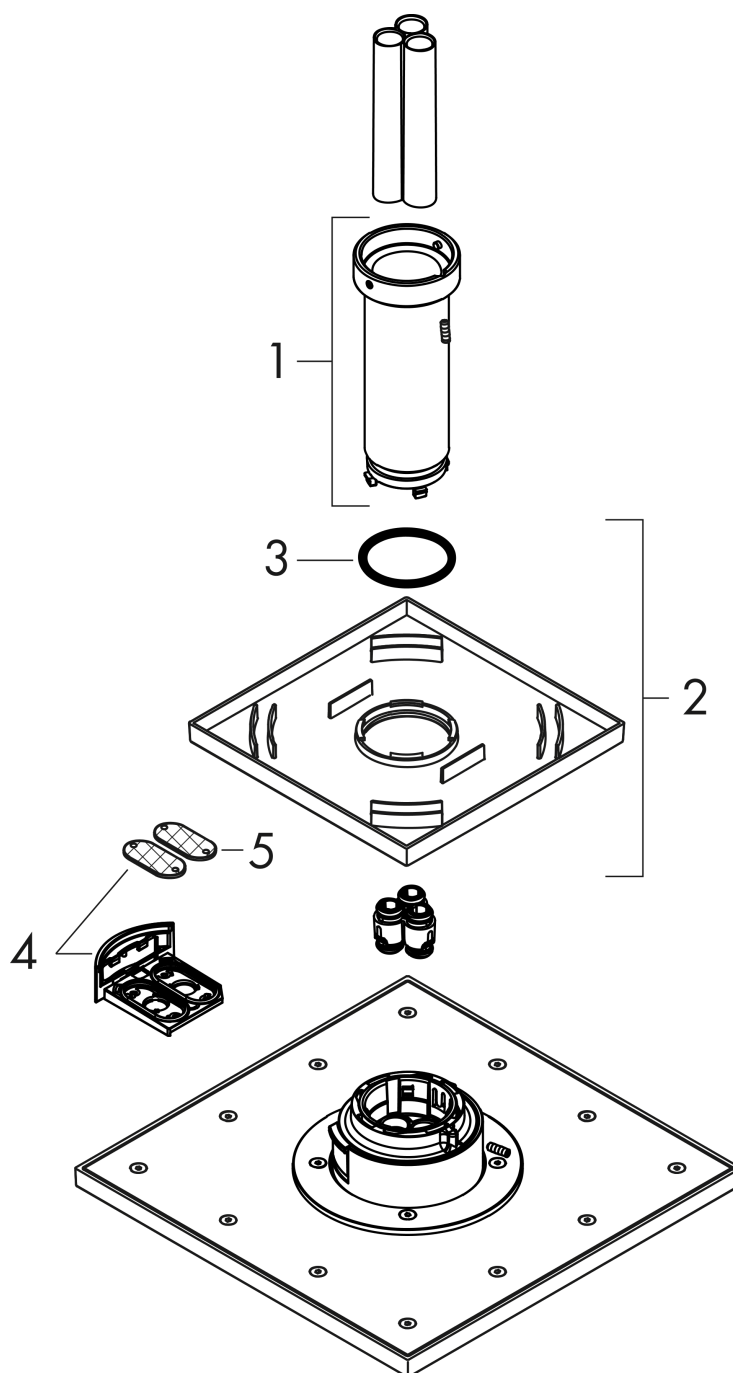
The consumption was measured in combination with the appropriate fittings (thermostat/mixer/in-wall valve) to reflect actual application in practice.

AXOR ShowerSolutions
Overhead shower 250/250 2jet with ceiling connection
Surfaces: **Chrome** Article Number: **35312000**



Exploded Drawing

Year of production: >01/19



AXOR ShowerSolutions
Overhead shower 250/250 2jet with ceiling connection
 Surfaces: **Chrome** Article Number: **35312000**



Spare part list

Year of production: >01/19

Pos.		Article Number	Price	PU
1	sleeve	92709000	-	1
2	escutcheon 155 / 155 mm	92710000	-	1
3	O-ring 42x3,5	92708000	-	1
4	service unit	93423000	-	1
5	filter	93402000	-	1